

VZ-070RM-E

3RU 7" DUAL COST EFFECTIVE RACKMOUNT 3G-SDI MONITOR



VZ-070RM-E ADVANTAGES

- 7" Dual IPS Panel | LED Backlight Adjustment
- One Front Assignable Function Button
- Aspect Ratio - Full, 16:9, 4:3, 1.85:1, 2.35:1
- Screen Color Mode: Blue, Red, Green & Mono
- H/V Delay, Pixel to Pixel On/Off, Exposure, False Color(SD/HD SDI)
- Image Flip - On/Off
- Zoom - Off, x2, x4, x6, x8
- Tally (Red, Green)Support

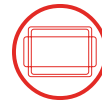
MODEL #	VZ-070RM-E	
DISPLAY		
Screen Size	7" (IPS Panel) x 2	
Max. Resolution	1200 x 800 pixel	
Pixel Pitch	0.039 mm x 0.117 mm	
Brightness	350 cd/m ² (Typical)	
Contrast Ratio	800 : 1	
Aspect Ratio	16 : 10	
Viewing Angle (H/V)	178° / 178°	
Color Depth	16.7 M (8bit)	
INTERFACE		
3G SDI In / Out	(1 / 1) x 2	
HDMI In / Out	(1 / 1) x 2	
Component (Y, Pb, Pr)	(3 / 3) x 2	
AV (Composite) In / Out	(1 / 1) x 2	
RJ45 (Remote Control)	1 x 2	
Input Format		
SDI	SMPTE 425M-Level A	1920 x 1080p (50 / 59.94 / 60) 1920 x 1080i (50 / 59.94 / 60)
	SMPTE-274M	1920 x 1080p (23.98 / 24 / 25 / 29.97 / 30) 1920 x 1080i (50 / 59.94 / 60)
	SMPTE-296M	1280 x 720 p (50 / 59.94 / 60)
	SMPTE-125M	480i (59.94)
	ITU-R BT.656	576i (50)
	DIMENSIONS & WEIGHT	
Outline Dimension (WxHxD)	19 x 5.25 x 0.99" / 482.5 x 133.5 x 25.3 mm	
Net / Gross Weight	6.35 lbs (2.88 kg) / 6.6 lbs (2.98 kg)	
GENERAL		
Power	Electrical Ratings Consumption	DC 12V (AC 100 ~ 240V) ≤ 18 W (1.5 A)
Warranty	2 Years	
Operating Temperature	32 - 104°F / 0 - 40°C	
Package Include	DC Power Adapter x1, Monitor x1 Manual x1	



3-Gbps (3G)-SDI, higher resolution (FHD) of picture quality required Serial Digital Interface (SDI) for 1080p/60hz.



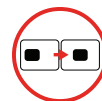
Color Temp - 6500° K, 7500° K, 9300° K and built-in user mode



Center On/Off
Safety - 95%, 93%, 90%, 88%, 85%, 80%



VZ-070FM-E has a 1280x800 resolution & use 7" IPS panel with wide viewing angles 178°x178°



1:1 pixel mode displays the original image resolution without scaling to match a certain resolution or an aspect ratio



Remote Control through a network is possible by using a PC



PIP - Built-in Picture in Picture function

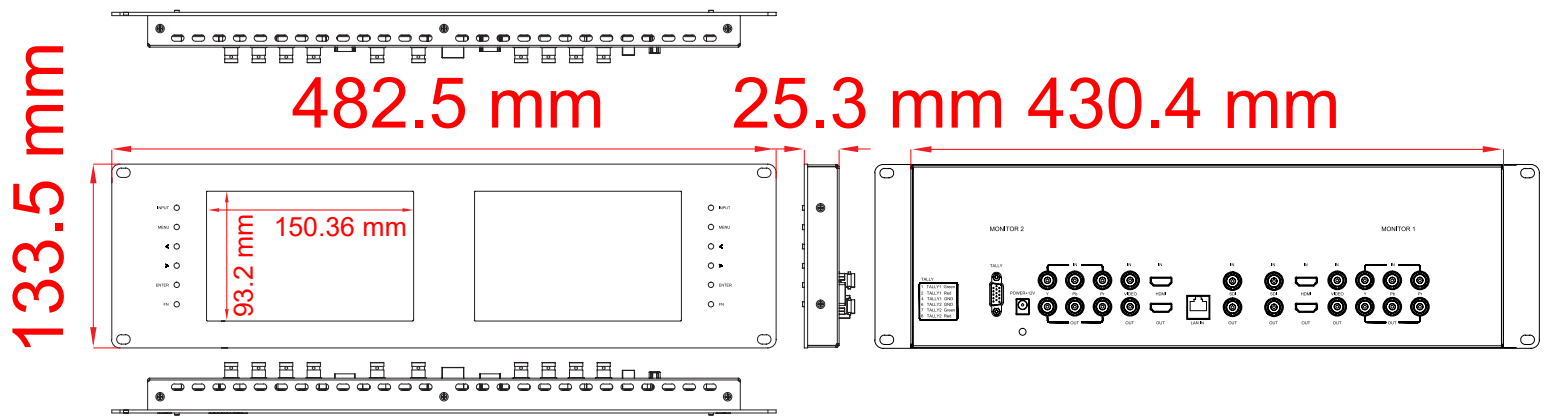


Viewing of the blanking area and sync/burst signal by displaying the horizontal and vertical intervals in the center of the screen

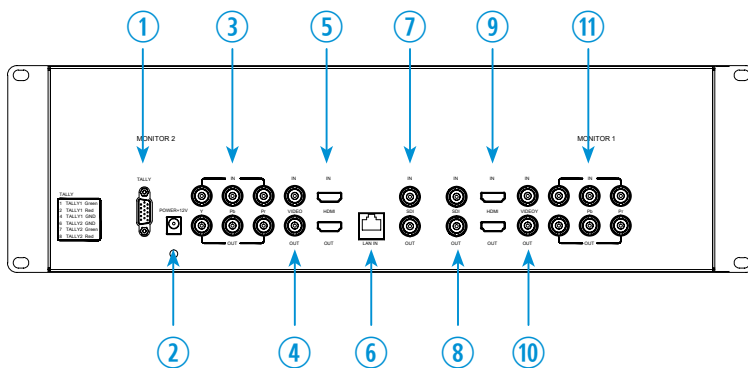
VZ-070RM-E

3RU 7" DUAL COST EFFECTIVE RACKMOUNT 3G-SDI MONITOR

DIMENSIONS



INTERFACE



1. Tally x1
2. DC 12V In x1
3. (M2) Y-Pb-Pr In/Out x1/1
4. (M2) Video In/Out x1/1
5. (M2) HDMI In/Out x1/1
6. RJ45 - Remote Control x1
7. (M2) SDI In/Out x1/1
8. (M1) SDI In/Out x1/1
9. (M1) HDMI In/Out x1/1
10. (M1) Video In/Out x1/1
11. (M1) Y-Pb-Pr In/Out x1/1

Contact ViewZ

- Address : 1030 N ARMANDO ST., ANAHEIM, CA 92806
- Phone : (714) 996-1177, Fax : (714) 996-1138
- Sales : sales@viewzusa.com