

## 7" PORTABLE FIELD 3G-SDI MONITOR



3-Gbps (3G)-SDI, higher resolution (FHD) of picture quality required Serial Digital Interface (SDI) for 1080p.



Display an X-Y plot of two signal, which can reveal details about the relationship between two signals



Display the Luma(Y), Chroma(Cb/Cr) and RGB Components of the input video signal as a form of waves



This model supports UMD (Under Monitor Display) function which displays Ancillary data at the foot of the screen



Use JOG dial button (or the Up and Down cursor buttons) to highlight the function, display the items and change the setting value you want to change.



Time code (SMPE or SMPTE code) is an electronic signal which is used to identify a precise location in digital systems and on time-based media like audio or video tape



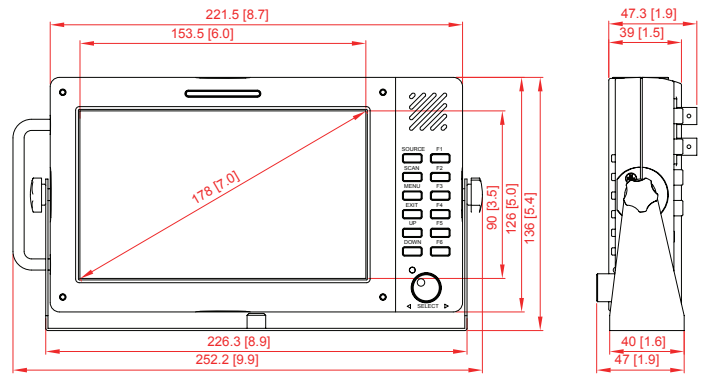
Viewing of the blanking area and sync/burst signal by displaying the horizontal and vertical intervals in the center of the screen



4:3, 14:9, 15:9 and 16:9 area line marker display of the screen

### DIMENSION

\*Table Top Stand (VZ-070TS) is optional

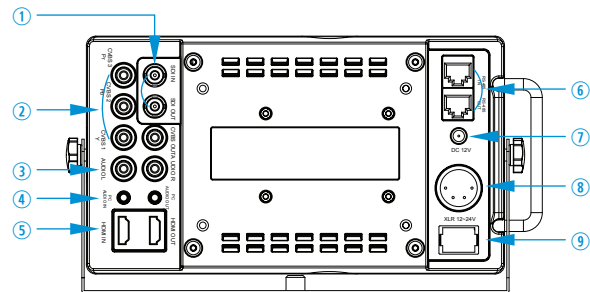


### VZ-070PM-3G ADVANTAGES

- SDI Embedded 16CH Audio Level Meter / 2CH Select Audio Waveform
- SDI to HDMI Cross-Conversion and Display Out
- 12bit to 8bit Dithering
- Maximum Brightness (On/Off)
- Screen Color Mode: Blue, Red, Green & Mono
- Selectable Hot Key
  - Peaking
  - Key lock
- Tally Lamp Red, Green Support
  - Focus Assist
- False Color(SD/HD SDI)
  - RJ-45(RS485) Remote Control
- DSLR Scaling (HDMI)

MODEL #	VZ-070PM-3G	
<b>DISPLAY</b>		
Screen Size	7"	
Max. Resolution	1024 x 600 pixel	
Pixel Pitch	0.05 mm x 0.15 mm	
Brightness	400 cd/m <sup>2</sup> (Typical)	
Contrast Ratio	800 : 1	
Aspect Ratio	16 : 9	
Viewing Angle (H/V)	170° / 170°	
Color Depth	16.7 M (8bit)	
<b>INTERFACE</b>		
SDI In / Out	1 / 1	
HDMI In / Out	1 / 1 (SDI Loophthrough)	
Component (Y, Pb, Pr) In (RCA Jack)	3	
AV (Composite) In / Out (RCA Jack)	3 / 1	
RS-485 In / Out	1 / 1	
RJ-45 In (Remote Control)	1	
PC Audio In / Out (Analog Stereo)	1 / 1	
Audio In / Out (16ch De-Embedded Audio Selected Output)	1 / 1	
<b>AUDIO</b>		
Built in speaker	2W x 1	
<b>DIMENSIONS</b>		
Outline Dimension (W x H x D) (inch)	8.7 x 5.0 x 1.9	
(W x H x D) (mm)	221 x 126 x 48.3	
Net Weight	2.02lbs (916.5g)	
<b>Input Format</b>		
SDI	SMPTE 425M-A	1080p / 60,59.94,50 psf
		1920 x 1080i / 60,59.94,50
	SMPTE 274M	1920 x 1080p / 30,29.97,25,24,23.98 psf
		1920 x 1080i / 60,59.94,50
	SMPTE 260M	1920 x 1035i / 60,59.94
	SMPTE 296M	1280 x 720p / 60,59.94,50
	ITU-R BT.656	720 x 576i / 50
	2K Format	2048 x 1080 (24p/psf, 23.98p/psf)
<b>GENERAL</b>		
Power	- Electrical Ratings	XLR-4p (DC12V) / DC 12 ~ 24V
	- Consumption	14.4 W
Warranty	- Parts / Labor	2 Years / 3 Months
	- MTBF (Approx.)	33,000 Hours
Operating Temperature	32 - 104°F / 0 - 40°C	

### INTERFACE



1. SDI IN/OUT
2. Component IN / CVBS1,2,3 IN
3. AUDIO IN L/R
4. PC AUDIO IN/OUT
5. HDMI IN/OUT
6. RS-485 IN/OUT
7. DC12V IN
8. XLR 12~24V IN
9. POWER SWITCH

### Contact ViewZ

- Address : 177 W. Orangethorpe Ave., Placentia, CA 92870
- Phone : (714)996-1177, Fax : (714)996-1138
- Sales : sales@viewzusa.com
- Specification subject to change without notice.