



3-Gbps (3G)-SDI, higher resolution (FHD) of picture quality required Serial Digital Interface (SDI) for 1080p/60hz.



Featuring an amazing 1800cd/m² Ultra Bright display screen with the sun readability. VZ-070FM-4K can be mounted on top of camera, to use it for any outdoor framing.



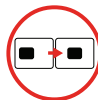
Adjusting the line of four direction to shape any type of safety marker. The desired aspect ratio of marker can be displayed on the screen properly when the type of marker selected from the main menu.



The HDR let the display reproduce a greater dynamic range of luminosity, allowing lighter & darker details to be displayed clearly. Effective enhancing the overall picture quality. VZ-070FM-4K supports ST2084 300/ST2084 1000/ST2084 10000/HLG.



Wider color gamut range to make precise color reproduction of Rec.709 color space with built-in 3D LUT, featuring 8 default logs & 6 user logs.



1:1 pixel mode displays the original image resolution without scaling to match a certain resolution or an aspect ratio



VZ-070FM-4K has a 1920 x 1200 resolution & use 7" IPS panel with wide viewing angles



VZ-070FM-4K is designed for the film and video shooting on any type of camera with superior picture quality

MODEL #		VZ-070FM-4K
DISPLAY		
Screen Size	7" (IPS Panel)	
Max. Resolution	1920 x 1200 pixel	
Pixel Pitch	0.07875 mm x 0.07875 mm	
Brightness	1800 cd/m ² (Typical)	
Contrast Ratio	1200 : 1	
Aspect Ratio	16 : 10	
Viewing Angle (H/V)	160° / 160°	
INTERFACE		
3G-SDI In / Out	1 / 1 (Upto 1080p @ 60 Hz)	
HDMI In / Out	1 / 1 (Upto 4K @ 30 Hz)	
Tally / Audio Out (3.5mm) / USB	1 / 1 / 1	
AUDIO		
Built in speaker	1	
Input Format		
Signal Format	3G-SDI LevelA/B	1080p / 60,59.94,50,30,29.97,25,24,23.98, 30sf, 29.97sf, 25sf, 24sf, 23.98sf 1080i / 60, 59.94, 50
	HD-SDI	1080p / 30, 29.97, 25, 24, 23.98, 30sf, 29.97sf, 25sf, 24sf, 23.98sf 1080i / 60,59.94,50 720p / 60,59.94,50,30,29.97,25,24,23.98
	SD-SDI	525i / 59.94, 625i / 50
	HDMI 1.4B	2160p (4K) / 30, 29.97, 25, 24, 23.98 1080p / 60,59.94,50,30,29.97,25,24,23.98 1080i / 60, 59.94, 50
Audio Format	SDI	12ch 48kHz 24-bit
	HDMI	2 or 8ch 24-bit
DIMENSIONS & WEIGHT - WITH MOUNT		
Outline Dimension (W x H x D)	7.67 x 5.19 x 0.86" / 195 x 132 x 25.4 mm	
Net Weight	1.21 lbs (550g)	
GENERAL		
Power	- Electrical Ratings - Battery (Option) - Consumption	DC 7 ~ 24V L Series NP-F type only ≤ 16 W (12V)
Warranty	2 Years	
Operating Temperature Humidity	32 ~ 140°F / 0 ~ 60°C 90% RH	
Storage Temperature	14 ~ 140°F / -10 ~ 60°C	
Package Include	Monitor x1, Carrying Case x1, HDMI AtoC Cable x1, Shoe Mount x1, Tally Cable x1, Manual x1	

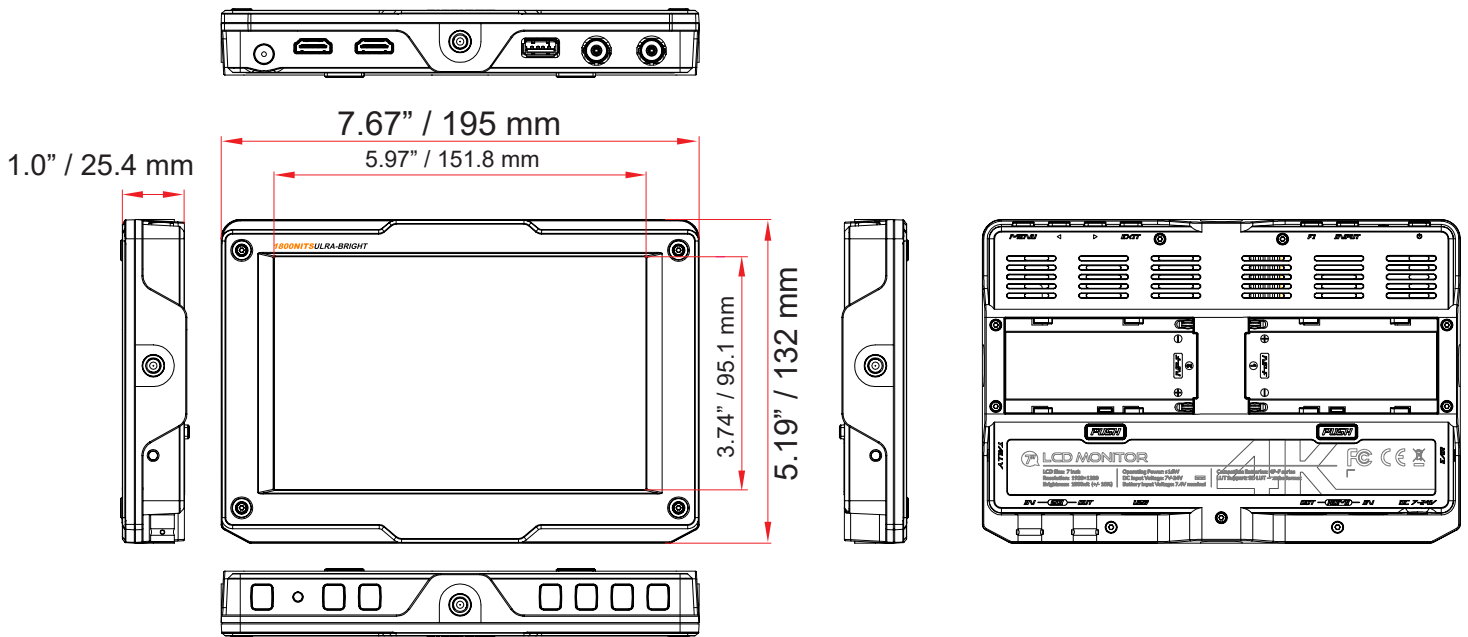
VZ-070FM-4K ADVANTAGES

- 7" IPS 4K Resolution, 3D-LUT - 8 Default Logs & 6 User Logs
- SDI (1080p) / HDMI Inputs and loop through
- HDR (PQ / HLG) Supported, Zoom(1.5x, 2x, 3x, 4x)
- Peaking Filter, Exposure, Flip, 2ch Audio Level Meter
- Gamma 1.8, 2.0, 2.2, 2.35, 2.4, 2.6 | Marker - Center, Aspect, Safety
- Pixel to Pixel, Marker, Freeze, Timecode
- Tally displays on the screen, Brightness adjustment level up to 1800nits
- Mounting holes on each side (top, bottom, sides) – flexible to mount

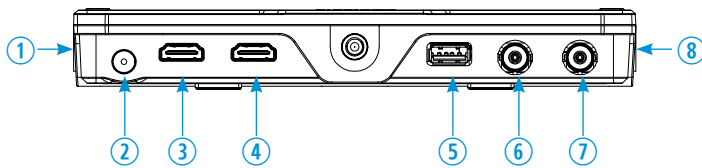
Contact ViewZ

- Address : 177 W. Orangethorpe Ave., Placentia, CA 92870
- Phone : (714)996-1177, Fax : (714)996-1138
- Sales : sales@viewzusa.com

DIMENSION



INTERFACE



1. Tally
2. DC 7-24V In
3. HDMI In
4. HDMI Out
5. USB
6. SDI Out
7. SDI In
8. Audio Out

Contact ViewZ

- Address : 177 W. Orangethorpe Ave., Placentia, CA 92870
- Phone : (714)996-1177, Fax : (714)996-1138
- Sales : sales@viewzusa.com