

VZ-070FM-12G

ViewZ[®]
DRIVING VISUAL INNOVATION

7" PORTABLE FIELD 4K & 12G-SDI MONITOR



Add crisp daylight viewing to your video or photography shoot with the VZ-070FM-12G 7" HD 12G-SDI/HDMI 2.0 Ultra-Bright On-Camera Monitor from ViewZ. Bright enough to be seen outdoors, the VZ-070FM-12G monitor supports up to DCI 4K60 video, has HDMI and dual 12G-SDI inputs and outputs, and offers pro functions like 3D LUTs, high dynamic range (HDR), multiple log compatibility, imaging tools, and a Sony L-Series battery plate.



Featuring an amazing 2000cd/m² Ultra Bright display screen with the sun readability. VZ-070FM-12G can be mounted on top of camera, to use it for any outdoor framing



When HDR is activated, the display reproduces a greater dynamic range of luminosity, allowing lighter and darker details to be displayed more clearly. VZ-070FM-12G supports ST2084 300/ST2084 1000/ST2084 10000/HLG.



3D-LUT is a table for quickly looking up and output specific color data. By loading different 3D-LUT tables, it can quickly recombine color tone to form different color styles. Built-in 3D-LUT, featuring 17 default logs and 6 user logs.



Dual 12G-SDI Inputs / Outputs, automatically adapts to SMPTE and ITU digital video standards for 12G-SDI, 6G-SDI, 3G-SDI (Level A/B), HD-SDI and SD-SDI.



Color Temp - 9300°K, 7500°K, 6500°K, 5500°K, 3500°K and built-in user mode

VZ-070FM-12G ADVANTAGES

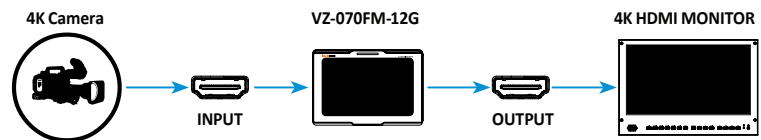
- All SDI signals Input - 12G-SDI / 6G-SDI / 3G-SDI (Level A/B) / HD-SDI/SD-SDI
- 12G-SDI Picture in Picture
- ST2084 / HLG
- Tally (Red / Green / Yellow)
- 12G-SDI & HDMI 2.0 Loop-Through Input & Output

- Waveform / Vector Scope / Histogram
- False Color / Peaking / Color Temperature / Color Space
- Audio Level Meter / Audio Vector
- Pixel to Pixel / Pixel Zoom / (User) Marker
- Gammas 1.8, 2.0, 2.2, 2.35, 2.4, 2.6 & 2.8
- Check Field / Exposure / HV Delay / Freeze

12G-SDI BROADCAST Link



HDMI BROADCAST Link



VZ-070FM-12G

7" PORTABLE FIELD 4K & 12G-SDI MONITOR



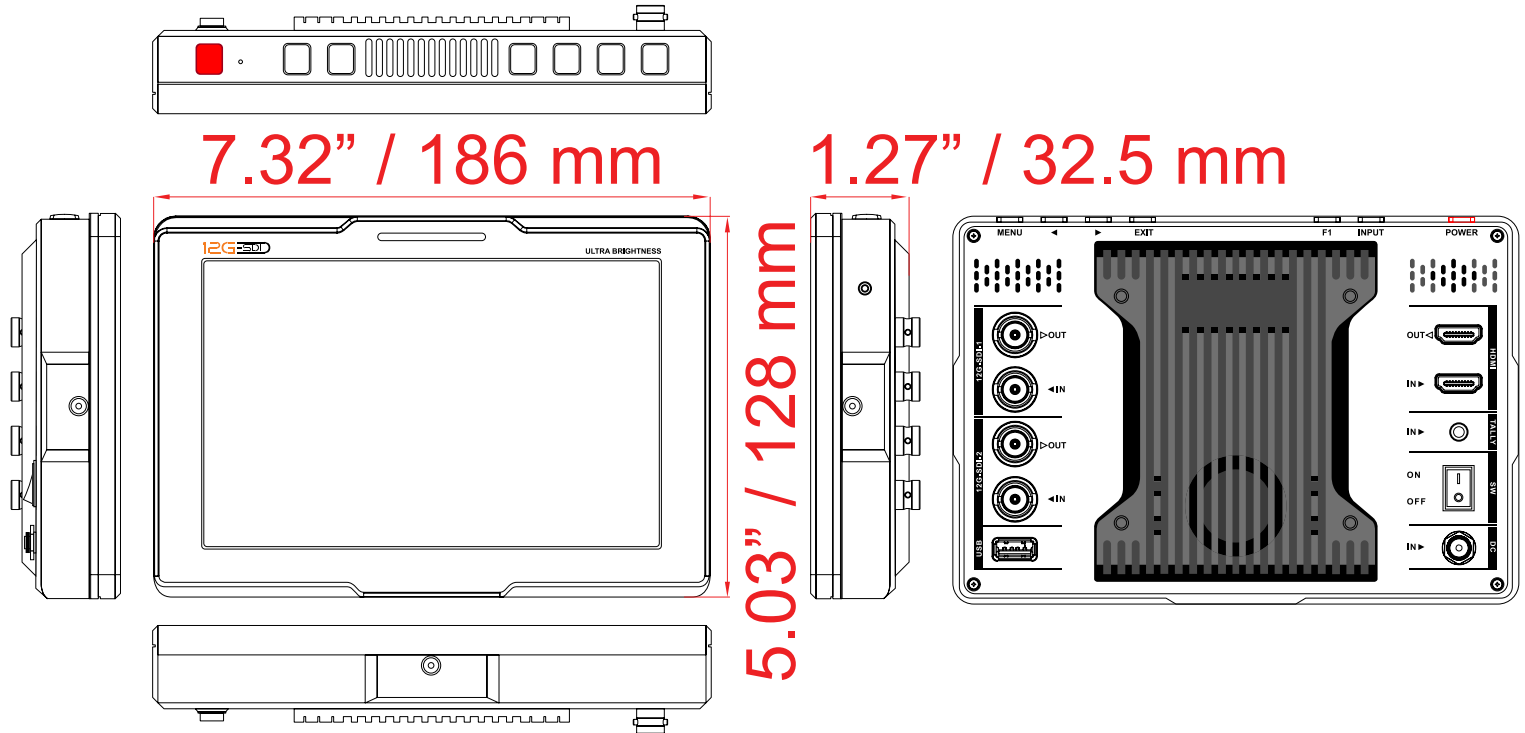
MODEL #	VZ-070FM-12G	
DISPLAY		
Screen Size	7"	
Max. Resolution	1920 x 1200 (Full HD) IPS pixel	
Brightness	2000 cd/m ² (Typical)	
Contrast Ratio	1200 : 1	
Aspect Ratio	16 : 10	
Viewing Angle (H/V)	170° / 170°	
Color Depth	1.07 B	
HDR	ST2084 300/1000/10000/HLG	
Supported Log Formats	SLog2 / SLog3 / CLog / NLog / ArriLog / JLog or User	
LUT (Look Up Table) Technology	Support (3D LUT - .cube Format) Calibration to Rec.709 with Optional Calibration Unit	
INTERFACE		
12G SDI In / Out	2 / 2 (Loopthrough)	
HDMI 2.0 In / Out	1 / 1 (Loopthrough)	
Tally	1	
Input Format		
SDI	12G-SDI	3840x2160p (24 / 25 / 30 / 50 / 60) 1920x1080p (24 / 25 / 30 / 50 / 60) 1920x1080psf (24 / 25 / 30) 1920x1080i (50 / 60) 1280x720p (50 / 60)
HDMI		3840x2160p (24 / 25 / 30 / 50 / 60) 1920x1080p (24 / 25 / 30 / 50 / 60) 1920x1080i (50 / 60) 1280x720p (50 / 60)

AUDIO		
Built in speaker	1W x 2	
SDI	16ch 48kHz 24 bit	
HDMI	8ch 24 bit	
Ear Jack	3.5 mm	
DIMENSIONS & WEIGHT		
Outline Dimension (WxHxD)	7.32 x 5.03 x 1.27" / 186 x 128 x 32.5 mm	
Net Weight	1.73 lbs (0.785 kg)	
GENERAL		
Power	Electrical Ratings	DC 7 ~ 24V
	Consumption	≤ 20 W (12V)
Warranty	2 Years	
Operating Temperature	32 - 122°F / 0 - 50°C	
Humidity at High Operating Temperature	90% RH for 240 hrs, TA=+ 140°F (60°C)	
Storage Temperature	-4 - 140°F / -20 - 60°C	
Package Include	12V 2A DC Adapter x 1, Manual x 1, U-Shaded Bracket x 1, Tally Connector x1, Carrying Case x 1, VESA Plate (75mm) x1	

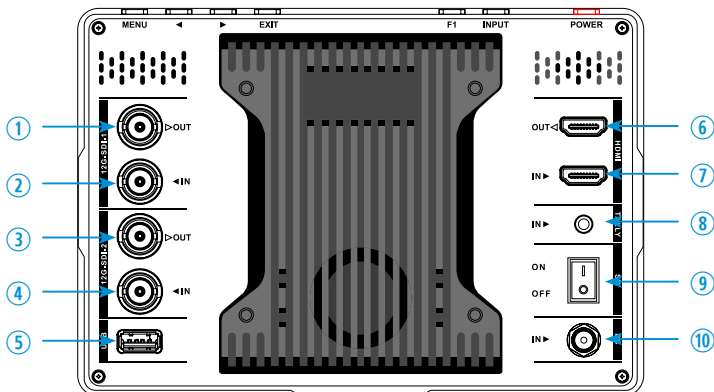
VZ-070FM-12G

7" PORTABLE FIELD 4K & 12G-SDI MONITOR

DIMENSIONS



INTERFACE



1. 12G-SDI 1 Out
2. 12G-SDI 1 In
3. 12G-SDI 2 Out
4. 12G-SDI 2 In
5. USB
6. HDMI Out
7. HDMI In
8. TALLY In
9. On-Off Switch
10. DC 7-24V In

Contact ViewZ

- Address : 1030 N ARMANDO ST., ANAHEIM, CA 92806
- Phone : (714) 996-1177, Fax : (714) 996-1138
- Sales : sales@viewzusa.com