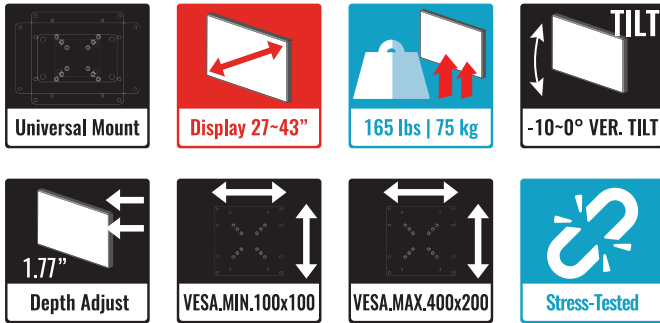




### VZ-WM50 ADVANTAGES

- Universal Mounting Pattern
- Works with flat-panel mounts that have a VESA pattern  
MIN. 100 x 100 mm, MAX. 400 x 200mm
- Fit for ViewZ Monitors 27" ~ 43"
- -10° ~ 0° tilting
- 3 Year Warranty



### Designed specifically for

VZ-PVM-I3B3N/I3W3N

IP Public View Monitor 27"

VZ-PVM-I4B3N/I4W3N

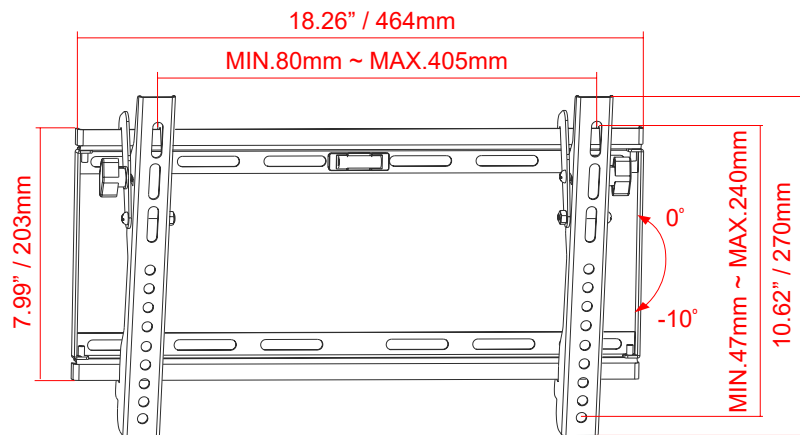
IP Public View Monitor 32"

VZ-32/43 CMP

Full HD LED Monitor 32" & 43"

MODEL #	VZ-WM50
<b>FEATURES</b>	
Net Weight	3 lbs / 1.36 kg
Net Weight + Screws	4 lbs / 1.81 kg
Weight Capacity	165 lbs / 75 kg
Dimension (Width x Height x Depth) inch	18.26 x 10.62 x 1.77
(Width x Height x Depth) mm	464 x 270 x 45
DIM Size (Width x Height x Depth) inch	18.26 x 7.99 x 0.59
(Width x Height x Depth) mm	464 x 203 x 15
Mounting Pattern Type	Universal / VESA
Universal Pattern	Range
VESA Patterns	100 x 100 (Min), 400 x 200 (Max) mm
Display Range	27.0" ~ 43.0"
Tilt	-10° ~ 0°
Profile	1.77" / 45 mm

### DIMENSIONS



### PRECAUTIONS

- Do not exceed rated & listed weight. Serious injury or property damage may occur !
- Do not begin the installation until you have read and understood all the instructions and warnings contained in this installation sheet. If you have any questions regarding any of the instructions or warnings, please contact your local distributor.
- This mounting bracket was designed to be installed and unlisted ONLY as specified in this manual. Improper installation of this product may cause damage or serious injury.
- Tighten screws firmly, but do not over tighten. Over tightening can cause damage to the items, This greatly reduces their holding power.
- This product is intended for indoor use only. Using this product outdoors could lead to product failure and personal injury.

### Contact ViewZ

- Address : 177 W. Orangethorpe Ave., Placentia, CA 92870
- Phone : (714) 996-1177, Fax : (714) 996-1138
- Sales : sales@viewzusa.com