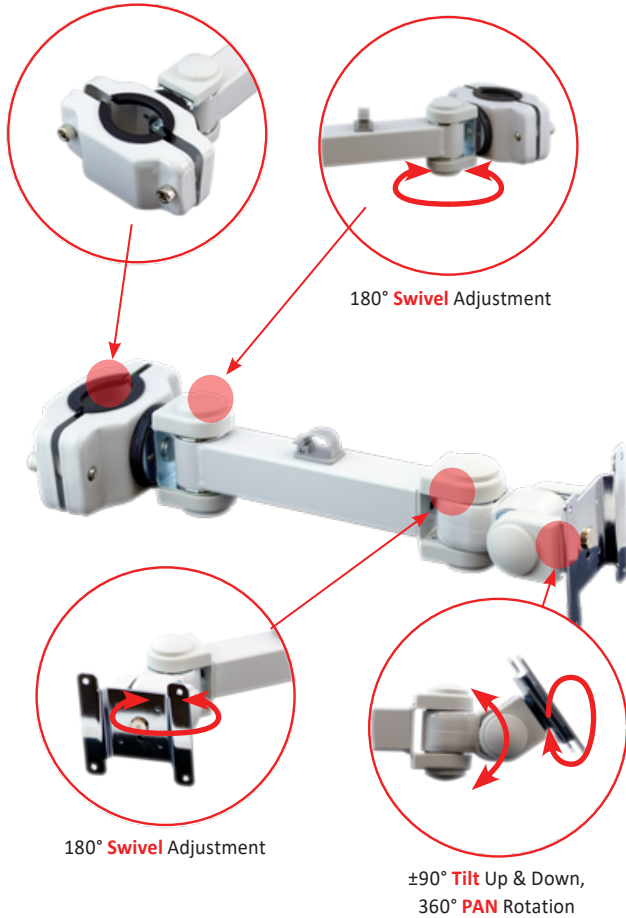


SELF CHECK-OUT MOUNT

1.25" (32 mm) ~ 2.5" (64 mm)

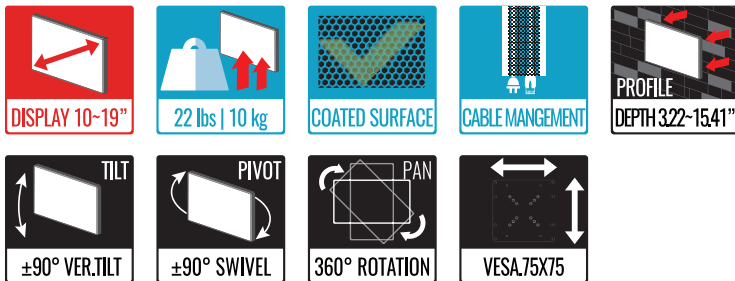


VZ-SCM ADVANTAGES

- Mounting head for 10" to 19" CCTV Monitors
- Load Capacity is **22 lbs / 10 kg**
- **±90° Tilt Up & Down** Adjustment along with **360° Pan** Adjustment along with achieving that Perfect Viewing Angle
- VESA Standard - 75x75

Designed specifically for

- VZ-101RTC** 10.1" Premium HD LED Monitor
- VZ-17/19RTN** 17 & 19" Professional LED 4:3 CCTV Monitor
- VZ-PVM-I1W4N/I1B4N** 10" IP Public View Monitor
- VZ-PVM-Z1W5N** 10" HD Public View Monitor
- VZ-PVM-I1W4P/I1B4P** 10" Portrait IP Public View Monitor
- VZ-PVM-P1W3/P1B3** 13" SMART AD PVM
- VZ-PVM-P2W3/P2B3** 15" SMART AD PVM



MODEL #	VZ-SCM
SPECIFICATION	
Total Weight Capacity	22 lbs / 10 kg
Display Range	10" ~ 19"
Width	4.72" / 120 mm
Height	3.54" / 90 mm
Depth (Profile)	3.22" ~ 15.41" / 82 ~ 392 mm
Net Weight	6.0 lbs (2.72 kg)
Mounting Pole Size	1.25" (32 mm) ~ 2.5" (64 mm)
Swivel Capability	± 90 ° (Left & Right)
Tilt Capability	± 90 ° (Up & Down)
PAN Rotation	360 °
Mounting Patterns Type	VESA
Mounting Patterns	75x75

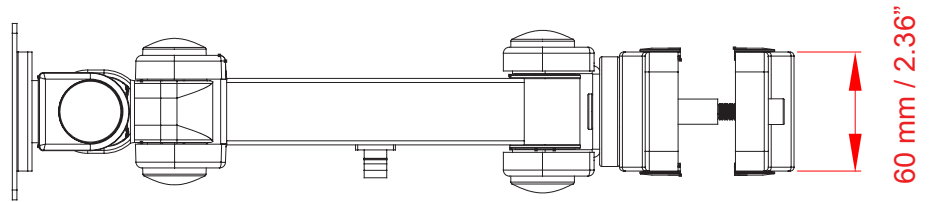
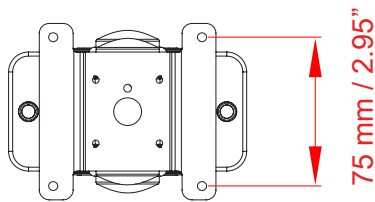
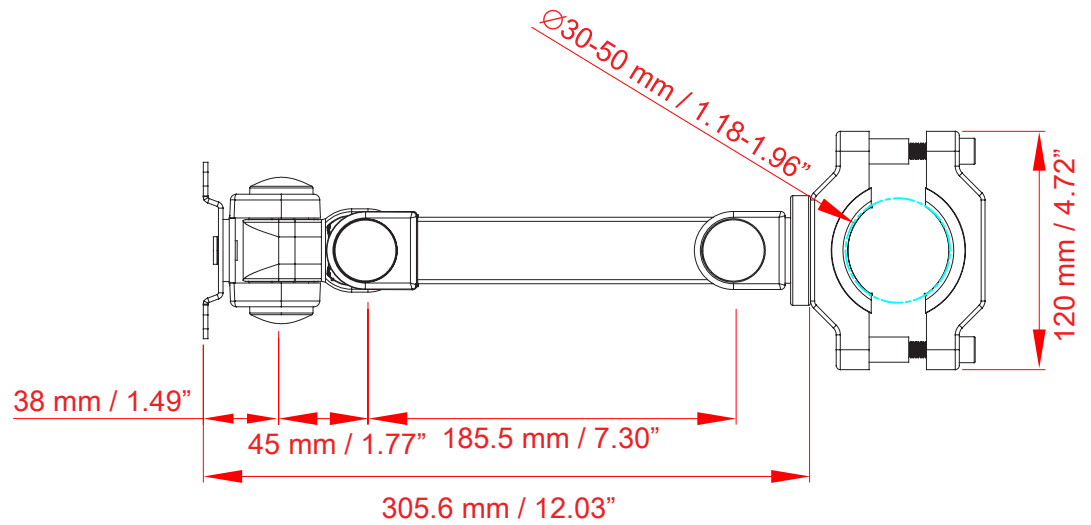
Contact ViewZ

- Address : 1030 N ARMANDO ST., ANAHEIM, CA 92806
- Phone : (714) 996-1177, Fax : (714) 996-1138
- Sales : sales@viewzusa.com

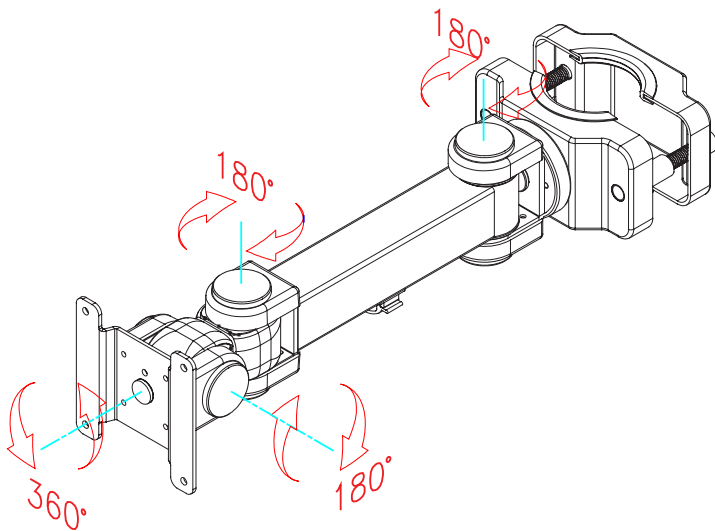
VZ-SCM

SELF CHECK-OUT MOUNT

DIMENSION



FEATURES



Contact ViewZ

- Address : 1030 N ARMANDO ST., ANAHEIM, CA 92806
- Phone : (714) 996-1177, Fax : (714) 996-1138
- Sales : sales@viewzusa.com