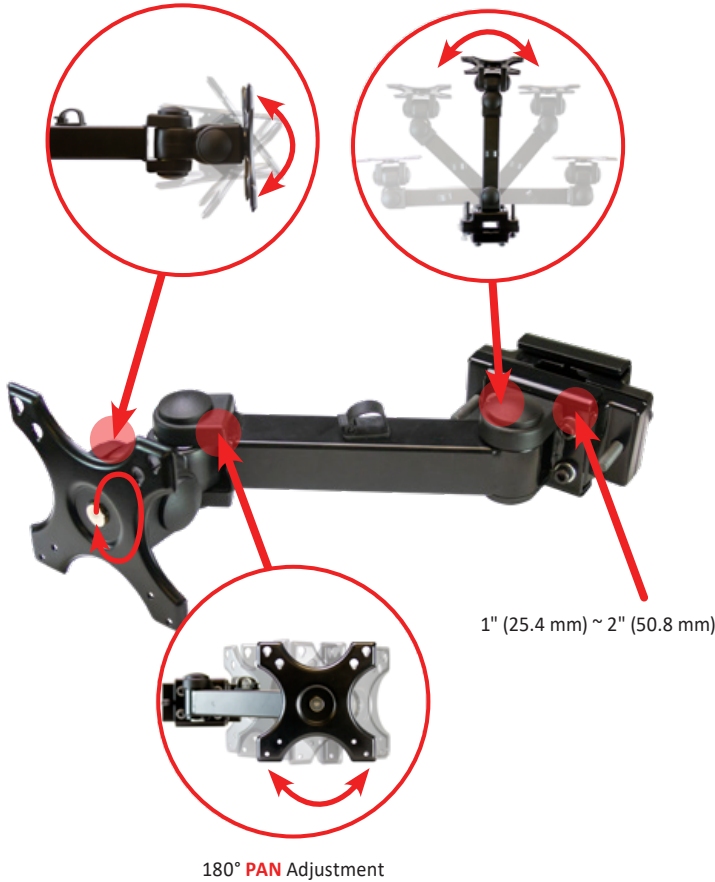


VZ-SCM-SQ

SELF CHECK-OUT MOUNT

±90° **TILT** Up & Down,
360° **SWIVEL** Rotation

180° **PAN** Adjustment



VZ-SCM-SQ ADVANTAGES

- Mounting head for 10" to 19" CCTV Monitors
- Load Capacity is 22 lbs / 10 kg
- ±90° Tilt Up & Down, ±90° Horizontal Pan Adjustment along with achieving that Perfect Viewing Angle
- VESA Standard - 75x75, 100x100
- Pole (Square type) Mount

Designed specifically for

VZ-101RTC

VZ-PVM-11W4-N

VZ-PVM-Z1W5-N

VZ-PVM-P1W3

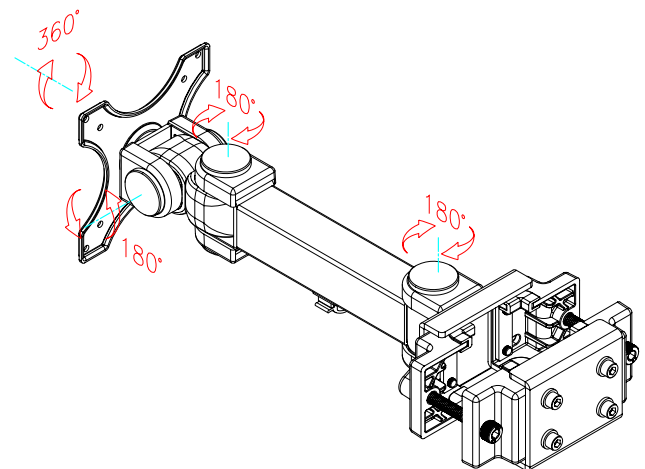
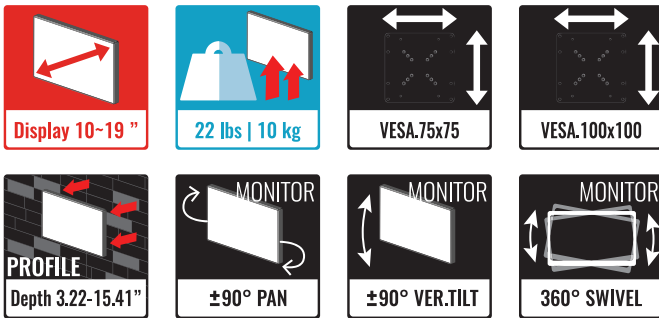
VZ-PVM-P1B3

VZ-PVM-P2W3

VZ-PVM-P2B3

VZ-17/19 RTN

FEATURES



MODEL #	VZ-SCM-SQ
SPECIFICATION	
Total Weight Capacity	22 lbs / 10 kg
Display Range	10" ~ 19"
Width	4.72" / 120 mm
Height	3.54" / 90 mm
Depth (Profile)	3.22" ~ 15.41" / 82 ~ 392 mm
Net Weight	4.1 lbs (1.85 kg)
Mounting Pole Size	1" (25.4 mm) ~ 2" (50.8 mm)
PAN	± 90 ° (Left & Right)
Tilt Capability	± 90 ° (Up & Down)
Swivel Capability	360 °
Mounting Patterns Type	VESA
Mounting Patterns	75x75, 100x100

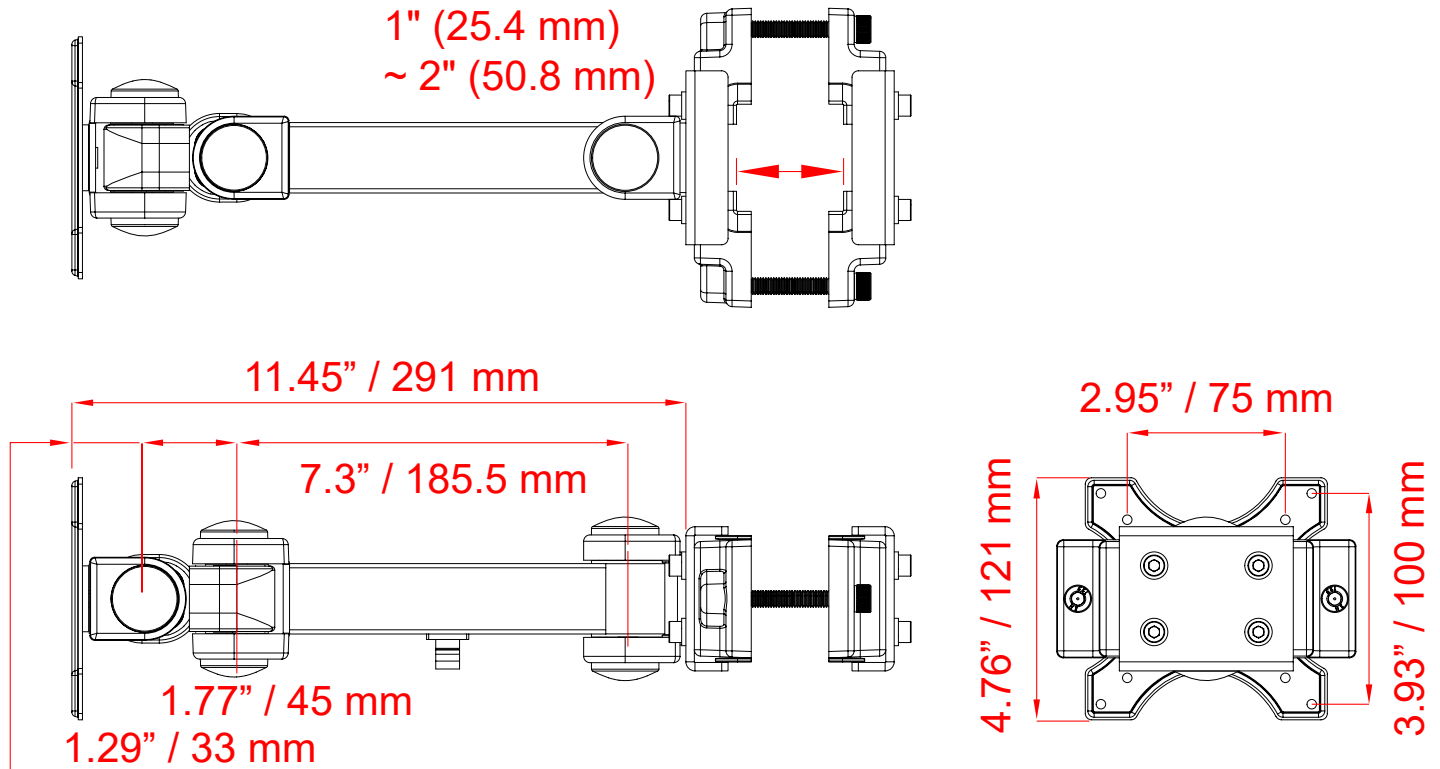
Contact ViewZ

- Address : 177 W. Orangethorpe Ave., Placentia, CA 92870
- Phone : (714) 996-1177, Fax : (714) 996-1138
- Sales : sales@viewzusa.com

VZ-SCM-SQ

SELF CHECK-OUT MOUNT

DIMENSIONS



Contact ViewZ

- Address : 177 W. Orangethorpe Ave., Placentia, CA 92870
- Phone : (714) 996-1177, Fax : (714) 996-1138
- Sales : sales@viewzusa.com