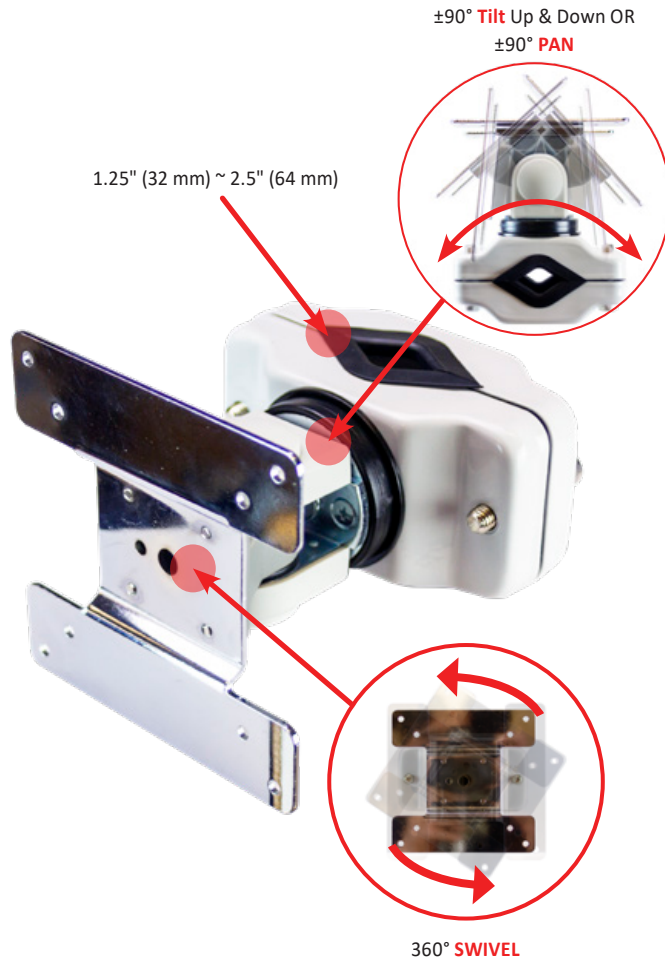


# VZ-SCM-S

## SELF CHECK-OUT MOUNT



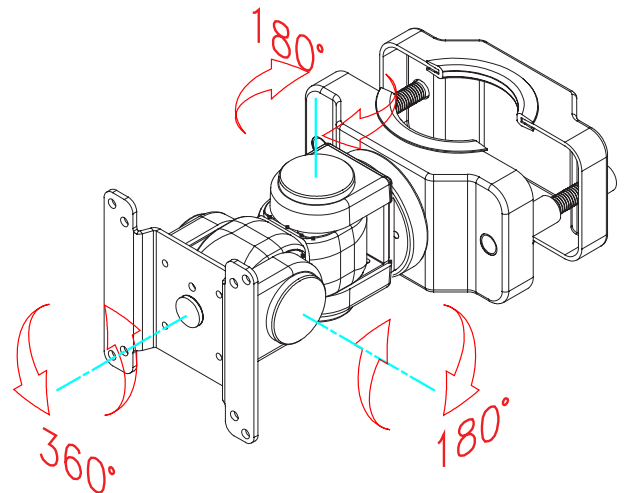
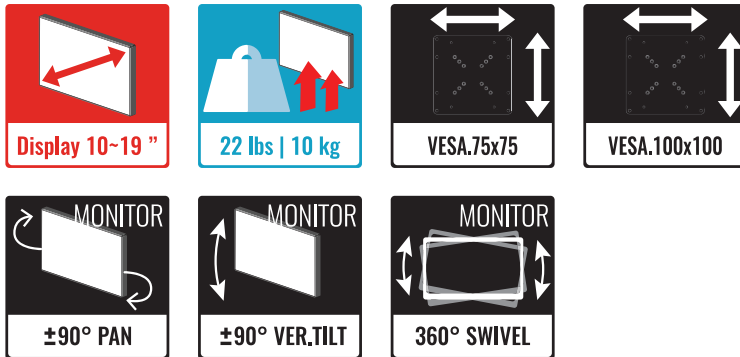
### VZ-SCM-S ADVANTAGES

- Mounting head for 10" to 19" CCTV Monitors
- Load Capacity is 22 lbs / 10 kg
- ±90° Tilt Up & Down, ±90° Pan Adjustment along with achieving that Perfect Viewing Angle
- VESA Standard - 75x75, 100x100

### Designed specifically for

VZ-PVM-I1W4-N

### FEATURES



MODEL #	VZ-SCM-S
<b>SPECIFICATION</b>	
Total Weight Capacity	22 lbs / 10 kg
Display Range	10" ~ 19"
Width	4.72" / 120 mm
Height	4.72" / 120 mm
Depth	5.39" / 137 mm
Net Weight	2.05 lbs ( 0.93 kg )
Mounting Pole Size	1.25" (32 mm) ~ 2.5" (64 mm)
PAN	± 90 ° (Left & Right)
Tilt Capability	± 90 ° (Up & Down)
Swivel Capability	360 °
Mounting Patterns Type	VESA
Mounting Patterns	75x75, 100x100

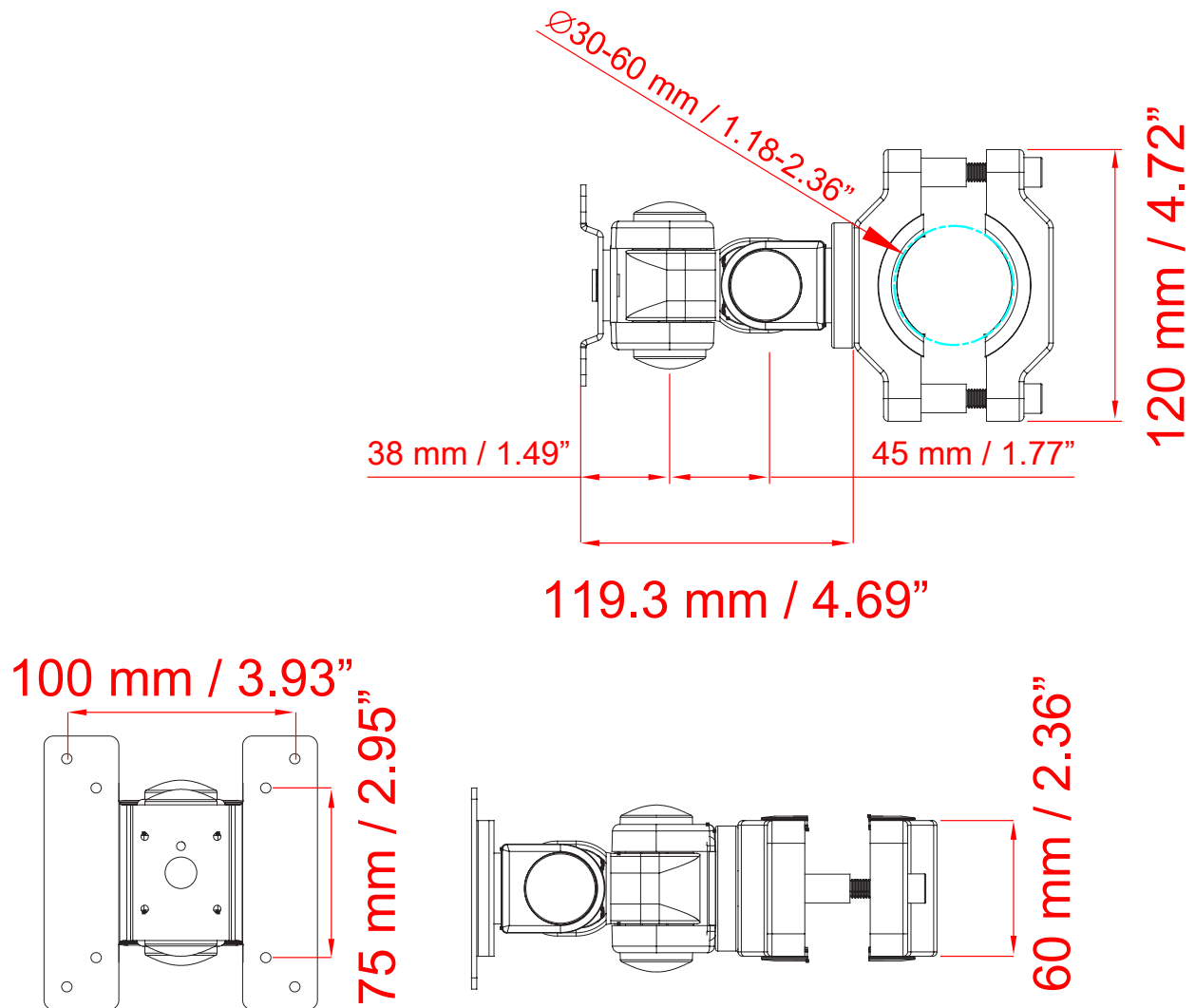
### Contact ViewZ

- Address : 177 W. Orangethorpe Ave., Placentia, CA 92870
- Phone : (714) 996-1177, Fax : (714) 996-1138
- Sales : sales@viewzusa.com

# VZ-SCM-S

## SELF CHECK-OUT MOUNT

### DIMENSIONS



### Contact ViewZ

- Address : 177 W. Orangethorpe Ave., Placentia, CA 92870
- Phone : (714) 996-1177, Fax : (714) 996-1138
- Sales : sales@viewzusa.com