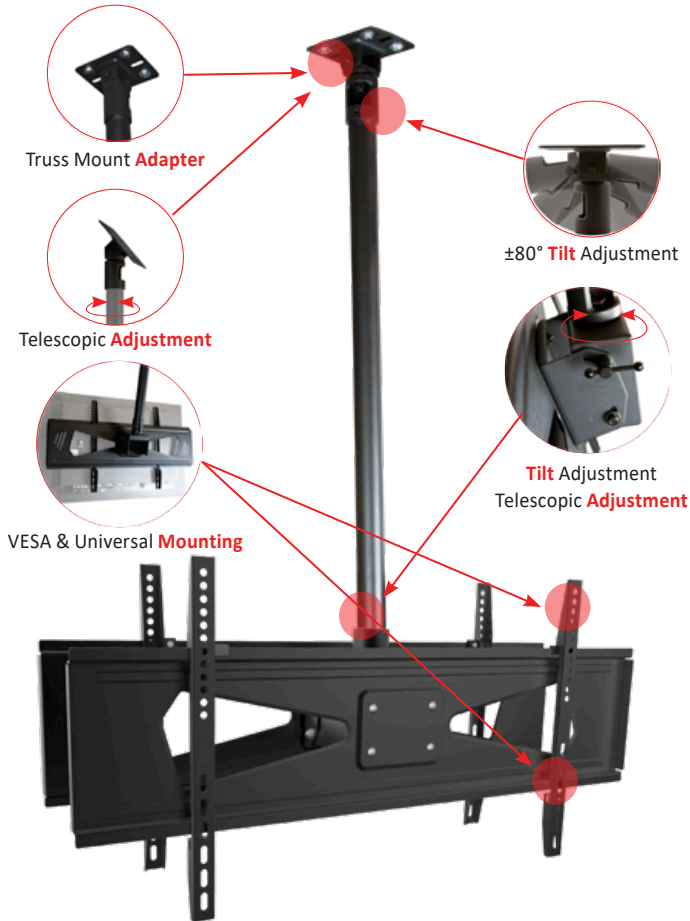


DUAL UNIVERSAL CEILING MOUNT KIT



VZ-CMKit-07 ADVANTAGES

- Mounting Head for 43" to 65" CCTV & Video Wall Monitors
- Load Capacity is 110 lbs / 50 kg for each head
- 5° Tilt Up and 12° Tilt Down Adjustment along with 360° Pan Rotation For Achieving that Perfect Viewing Angle
- ± 5° Level Adjustment
- VESA Standard (MIN. 200x200 ~ MAX. 800x400) & Universal Mounting Support
- Easy Cable Management & installation
- 2 units of VZ-CM-P36 poles can be connected by using VZ-CM-C Pole connector
Connecting more than 2 poles is not recommended.

Designed specifically for

VZ-PVM-P5B3/P5W3

VZ-43CMP

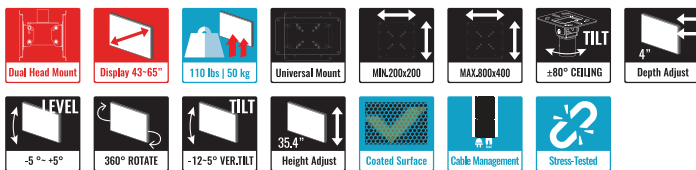
VZ-49/55/65 UHD

VZ-49/55 UNBS

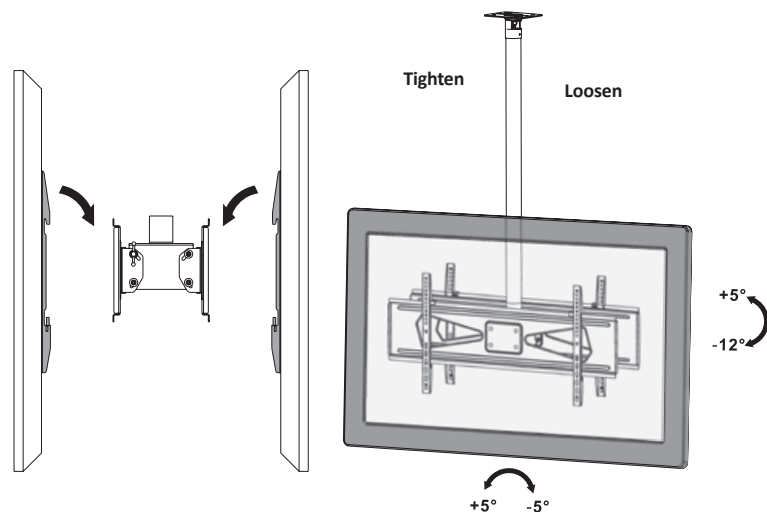
VZ-55 SNB/SHB

VZ-55 ENB/EHB

FEATURES



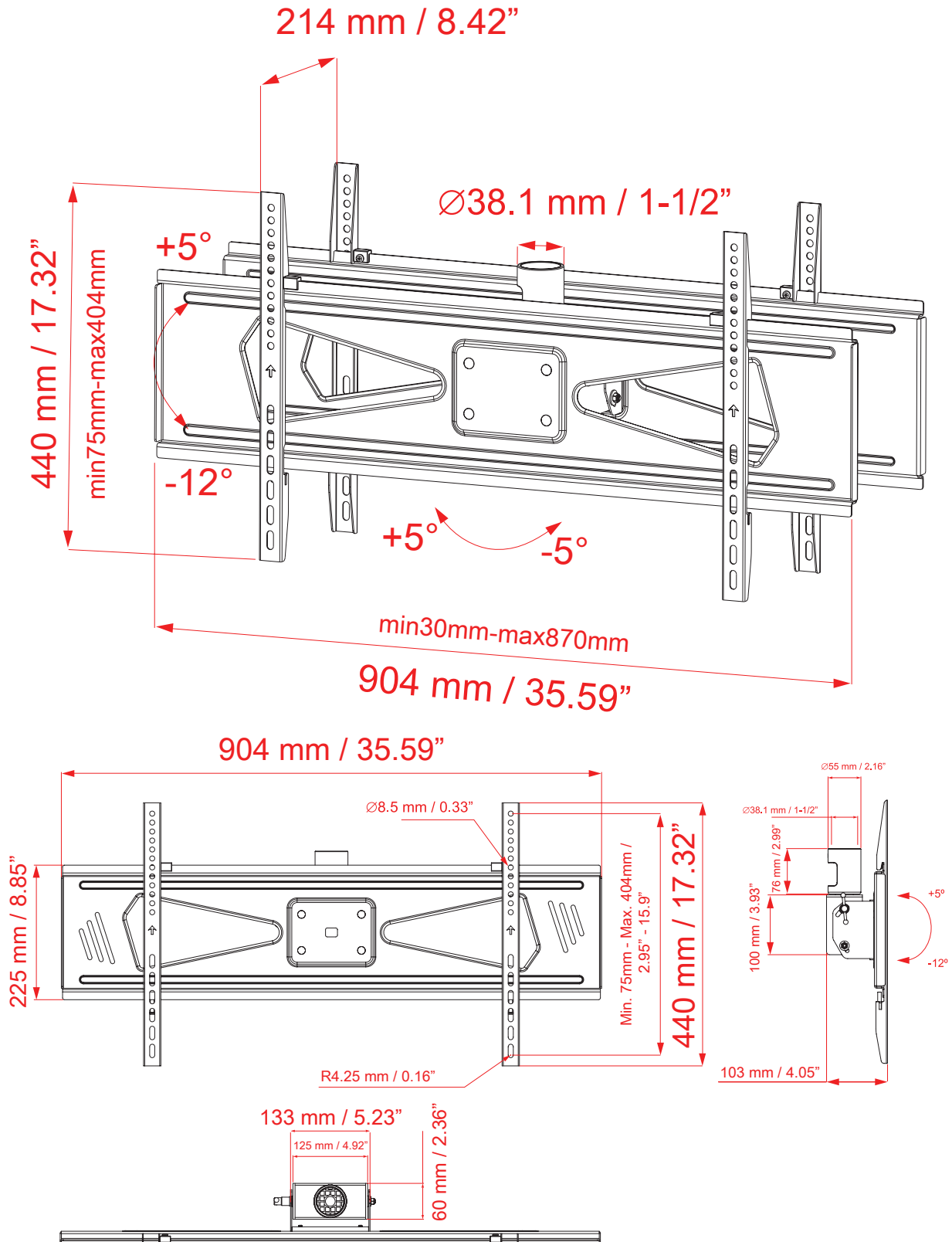
MODEL #	VZ-CMKit-07
FEATURES	
Net Weight	28.95 lbs / 13.13 kg
Weight Capacity	110 lbs / 50 kg (for each head)
Display Range	43" ~ 65"
VZ-CM-V4 Size (W x H x D)	904 x 440 x 214 mm / 35.59 x 17.32 x 8.4"
VZ-CM-V4 Pole (R x Length)	Ø 38.1 x 76mm / Ø 1.5 x 3"
VZ-CM-T Plate Size (W x H x D)	150 x 120 x 53mm / 5.9" x 4.72" x 2.08"
VZ-CM-T Pole (R x Length)	Ø 38.1 x 76mm / Ø 1.5 x 3"
VZ-CM-P36 Pole (R x Length)	Ø 48 x 900mm / Ø 1.88 x 35.43"
VZ-CM-P36 Thread (R x Length)	Ø 38.1 mm / Ø 1-1/2"
PAN Rotation	360 °
Tilt Capability (VZ-CM-V3 / VZ-CM-T)	+5° ~ -12° / ± 8°
Level Capability (VZ-CM-V4)	+5° ~ -5°
Mounting Patterns Type	Range
Mounting Patterns (Universal)	200 x 200 (Min) ~ 800 x 400 (Max) mm



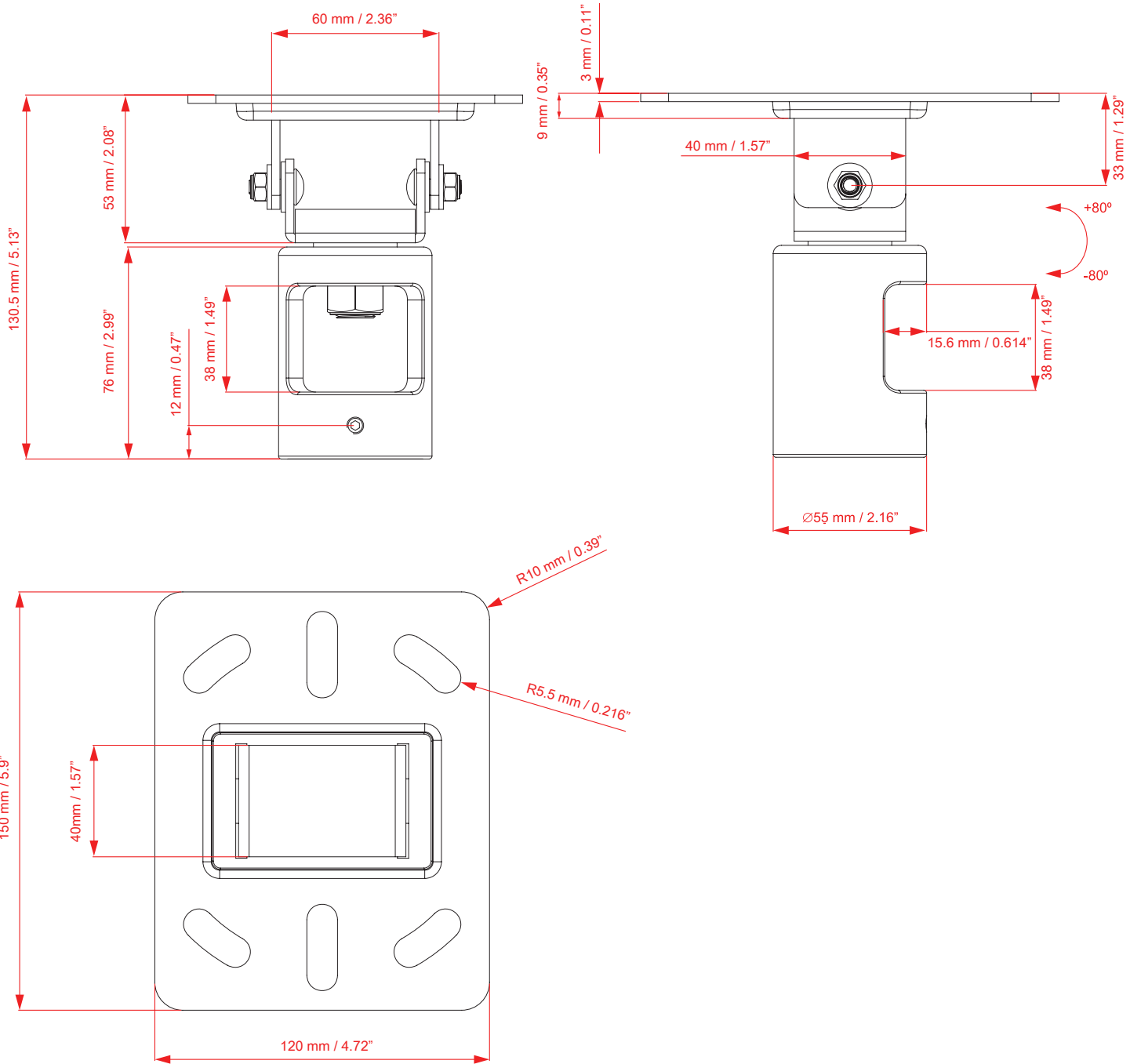
Contact ViewZ

- Address : 177 W. Orangethorpe Ave., Placentia, CA 92870
- Phone : (714) 996-1177, Fax : (714) 996-1138
- Sales : sales@viewzusa.com

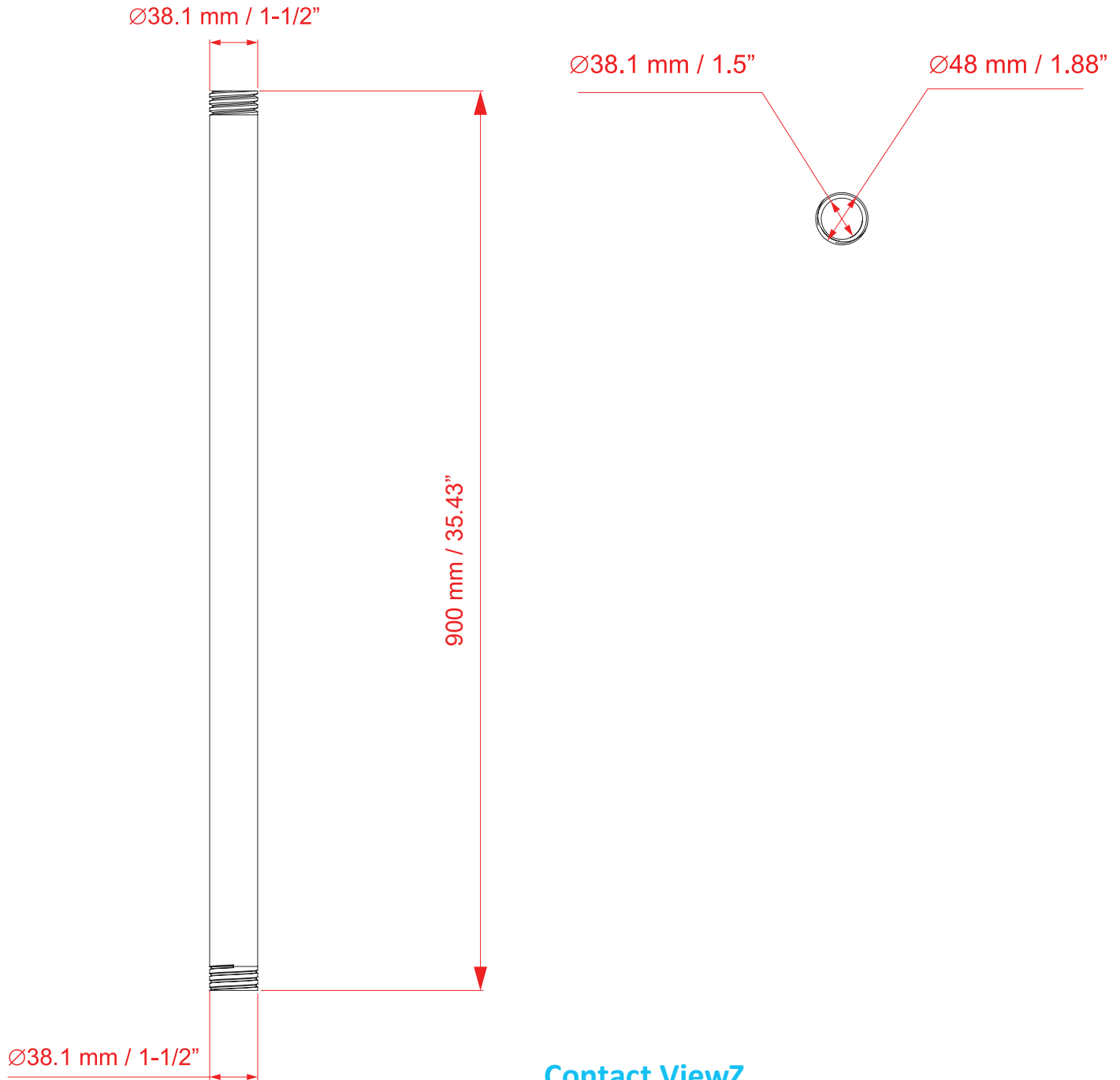
DIMENSIONS - BACK to BACK DUAL UNIVERSAL MOUNTING HEAD



DIMENSIONS - TILT CEILING PLATE



DIMENSIONS - POLE



Contact ViewZ

- Address : 177 W. Orangethorpe Ave., Placentia, CA 92870
- Phone : (714) 996-1177, Fax : (714) 996-1138
- Sales : sales@viewzusa.com