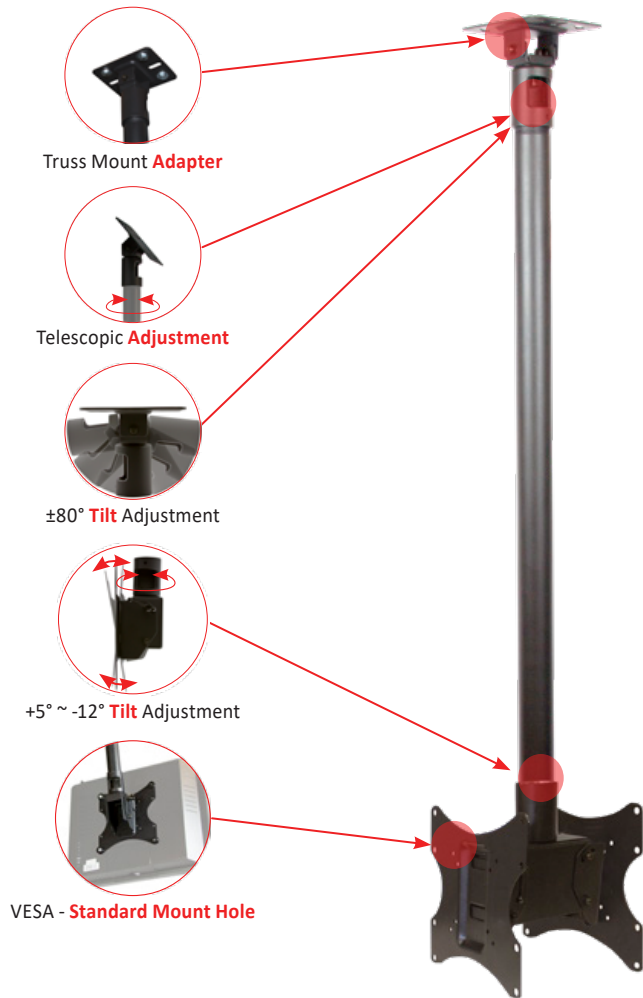


## DUAL VESA CEILING MOUNT KIT



### VZ-CMKIT-06 ADVANTAGES

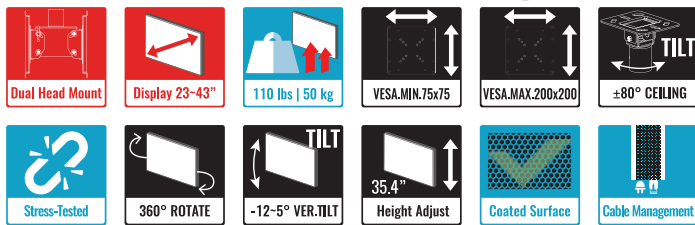
- Mounting Head for 23" to 43" CCTV & Video Wall Monitors
- Load Capacity is 110 lbs / 50 kg for each head
- 5° Tilt Up and 12° Tilt Down Adjustment along with 360° Pan Rotation For Achieving that Perfect Viewing Angle
- VESA Standard - 75x75, 100x100, 200x100 and 200x200
- Easy Cable Management & Installation
- 2 units of VZ-CM-P36 poles can be connected by using VZ-CM-C pole connector.

*Connecting more than 2 poles is not recommended.*

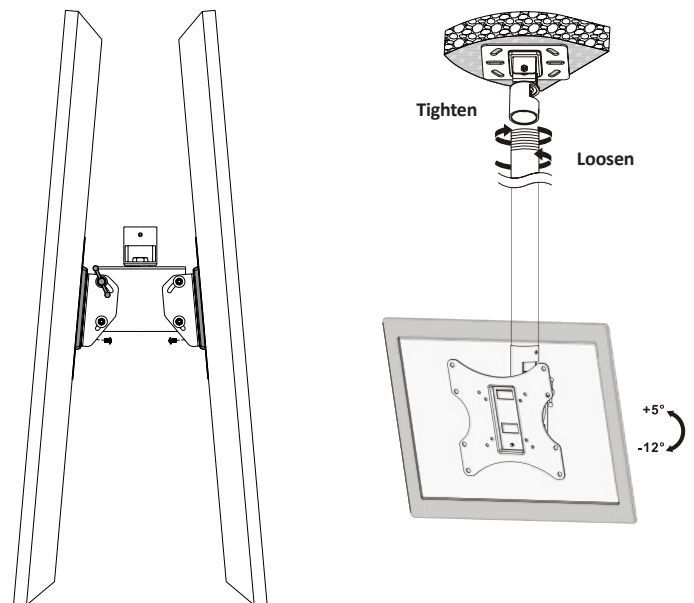
### Designed specifically for

VZ-24/27/32/43CMP	VZ-PVM-I2W3-N	VZ-PVM-I2B3-N
VZ-PVM-I3W3-N	VZ-PVM-I3B3-N	VZ-PVM-I4W3-N
VZ-PVM-I4B3-N	VZ-PVM-I5W3-N	VZ-PVM-I5B3-N
VZ-PVM-P4B3/P4W3	VZ-PVM-P5B3/P5W3	VZ-24/32IPM

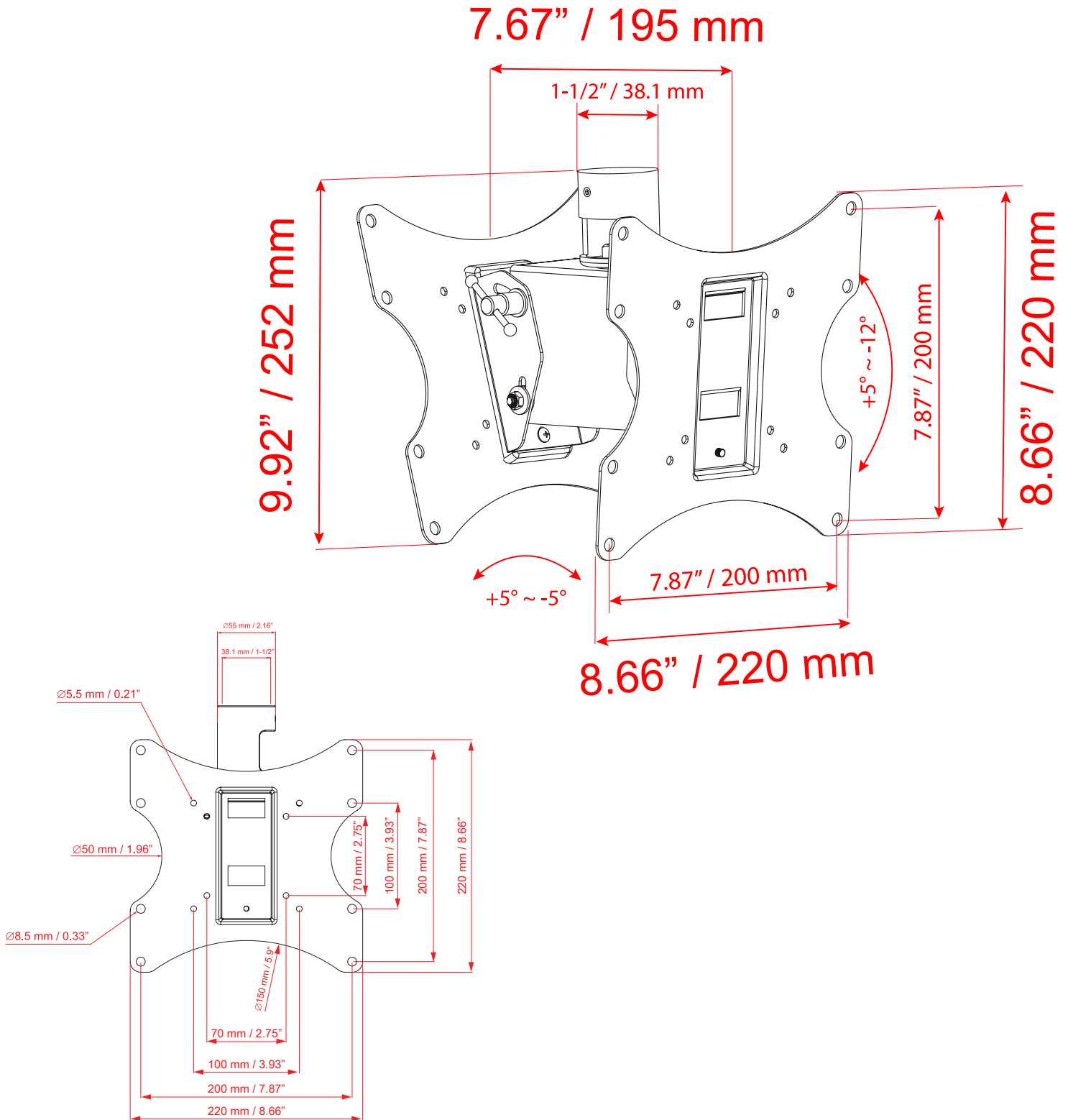
### FEATURES



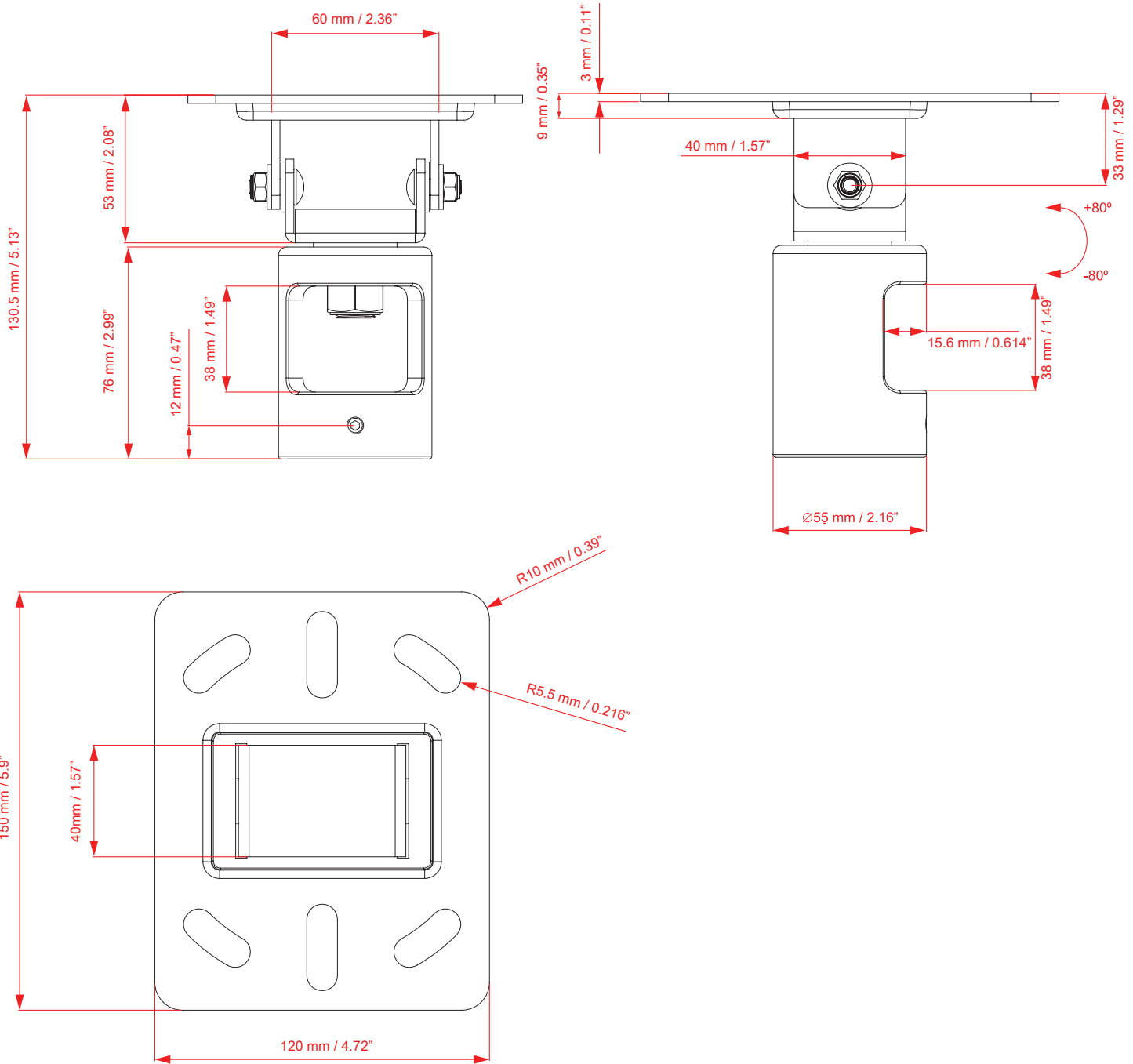
MODEL #	VZ-CMKIT-06
<b>FEATURES</b>	
Net Weight	10.78 lbs / 4.89 kg
Weight Capacity	110 lbs / 50 kg (for each head)
Display Range	23" ~ 43"
VZ-CM-V2 Plate Size (W x H x D)	220 x 252 x 195mm / 8.66" x 9.92" x 7.67"
VZ-CM-V2 Pole ( R x Length )	Ø 38.1 x 76mm / Ø 1.5 x 3"
VZ-CM-T Plate Size (W x H x D)	150 x 120 x 53mm / 5.9" x 4.72" x 2.08"
VZ-CM-T Pole ( R x Length )	Ø 38.1 x 76mm / Ø 1.5 x 3"
VZ-CM-P36 Pole ( R x Length )	Ø 48 x 900mm / Ø 1.88 x 35.43"
VZ-CM-P36 Thread ( R x Length )	Ø 38.1 mm / Ø 1-1/2"
PAN Rotation	360°
Tilt Capability (VZ-CM-V1)	+5° ~ -12° / ± 80°
Mounting Patterns Type	VESA
Mounting Patterns	75x75, 100x100, 200x100, 200x200



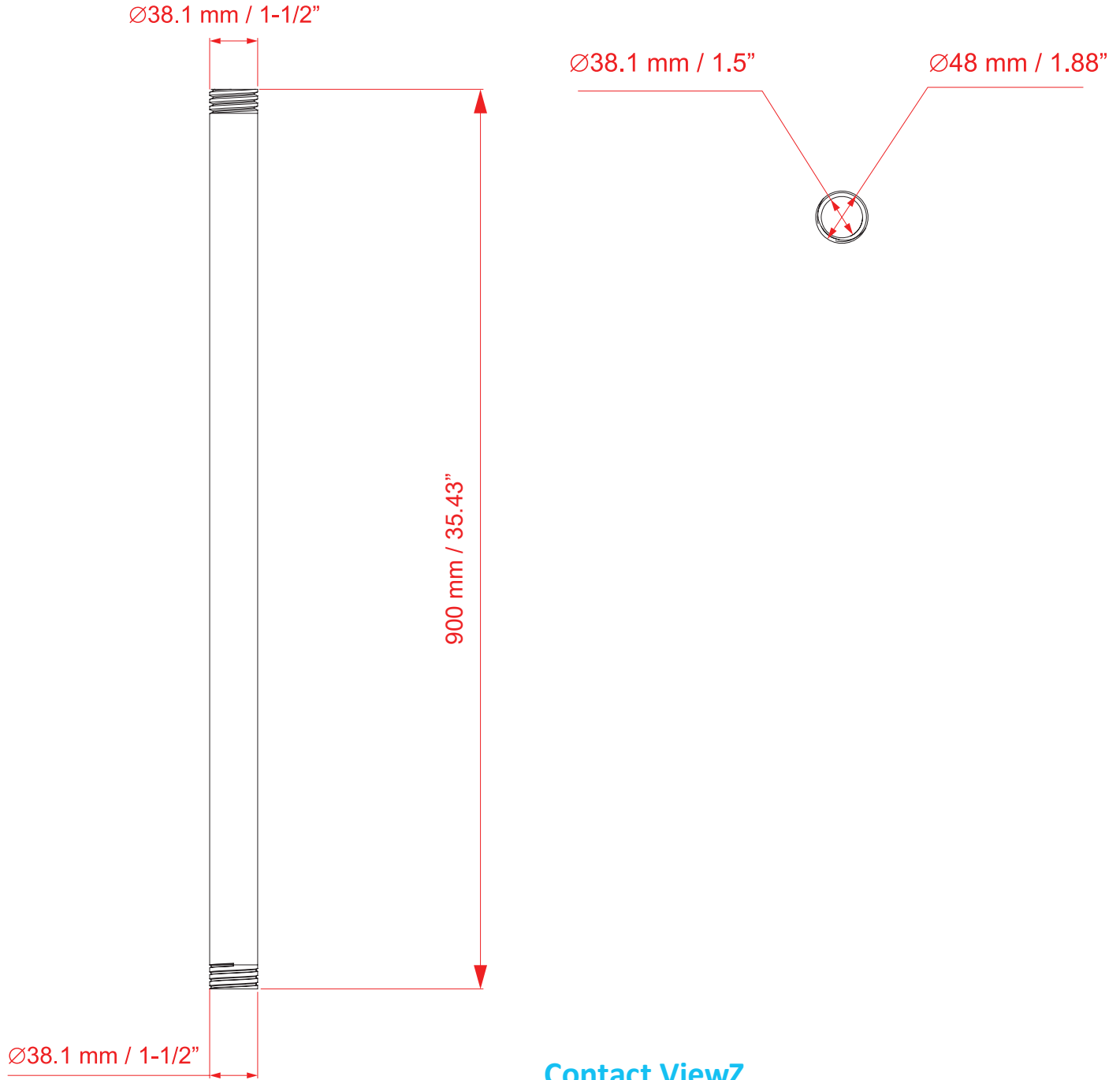
## DIMENSIONS



### DIMENSIONS



### DIMENSIONS



### Contact ViewZ

- Address : 177 W. Orangethorpe Ave., Placentia, CA 92870
- Phone : (714) 996-1177, Fax : (714) 996-1138
- Sales : sales@viewzusa.com