

### VZ-CM308 ADVANTAGES

- The Telescopic Ceiling Mount (CM) Series allows quick and precise adjustment for installations ranging from 3' to 8'
- Additional features allow -5° ~ 45° tilt adjustment as well a 360° pan rotation for achieving that perfect viewing angle
- Compatible with VESA 50 x 50, 75 x 75, 100 x 100, 200 x 100 and 200 x 200 mm mounting patterns (Optional 400 x 400 available)
- Adjust from 3' to 8' for perfect placement and viewing
- Built-in cable management hides unsightly cable clutter and prevents cable pinching when used in low-voltage applications
- Optional VZ-CM-EW/EB Extension Pole (5.6 ft) is available up to 18 ft
- MAX Load Capacity 66 lbs

### Designed specifically for

VZ-IP PVM 23"/27"/32"

VZ-HD PVM 23"/27"/32"

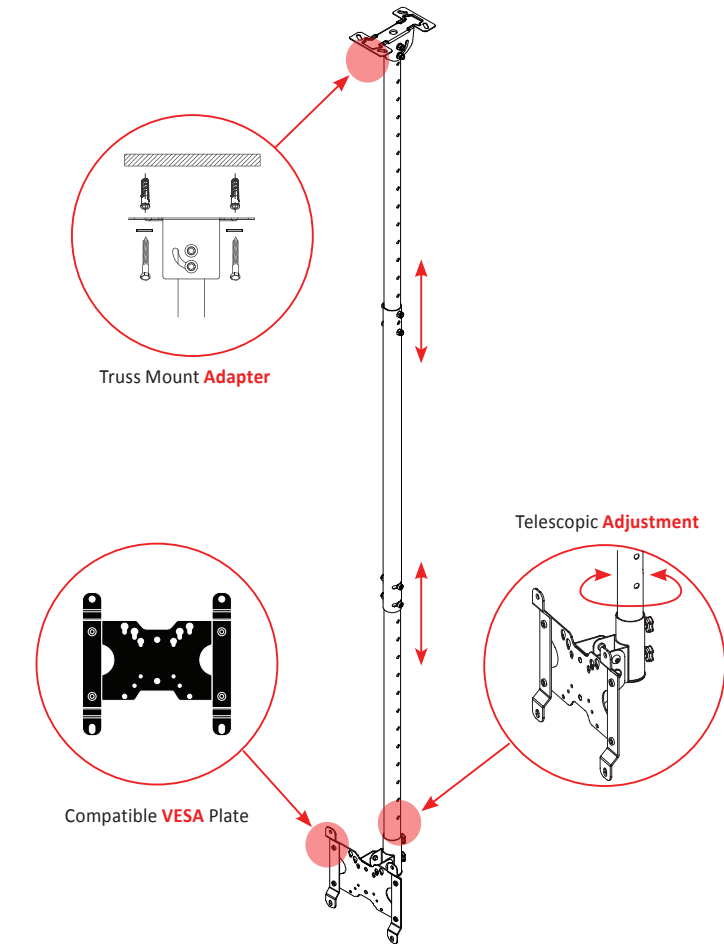
VZ-24&27&32&43HX

VZ-17 & 19 RTN

VZ-19&22&24 CMP/CME

VZ-19&22&24 CMX

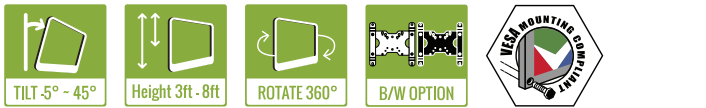
### FEATURES



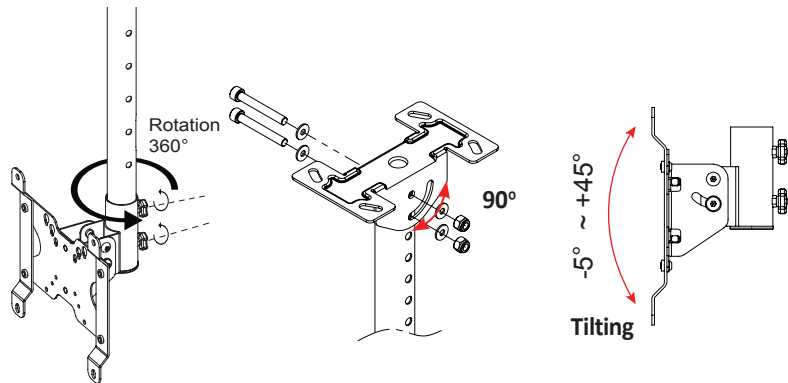
**AVAILABLE IN  
2 COLORS**

VZ-CM308-W : White Pole / White Mount

VZ-CM308-B : Black Pole / Black Mount



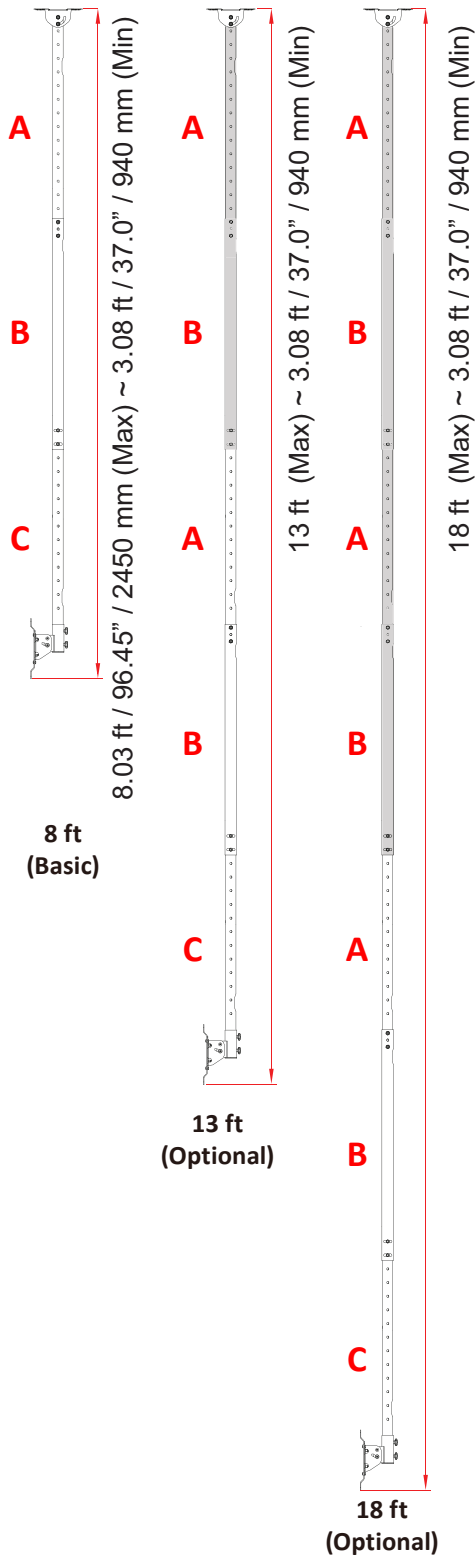
MODEL #	VZ-CM308
<b>FEATURES</b>	
Net Weight / Gross Weight	16.09 lbs (7.3kg) / 18.29 lbs (8.3kg)
Weight Capacity per Head	66.13 lbs / 30.0 kg
Mount Plate (Wide x Height x Depth)	4.25" x 6.83" x 2.67" / 108 x 173.7 x 68 mm
Vesa Plate (Wide x Height x Depth)	9.05" x 8.66" x 5.59" / 230 x 220 x 142 mm
Pole Top (R x Length) inch / mm	Ø 1.49" x 32.67" / Ø 38.0 x 830 mm
Middle (R x Length) inch / mm	Ø 1.65" x 33.26" / Ø 42.0 x 845 mm
Bottom (R x Length) inch / mm	Ø 1.49" x 32.55" / Ø 38.0 x 827 mm
Mounting Patterns Type	VESA
Mounting Patterns	50 x 50 (Min) ~ 200 x 200 (Max) mm
Display Range	17.0" ~ 43.0"
Installation Range	3ft ~ 8 ft / 0.94 ~ 2.45 m
Installation Range (Optional)	3ft ~ 18 ft / 0.94 ~ 5.48 m
PAN Rotation	360°
Tilt Capability	-5° ~ 45°



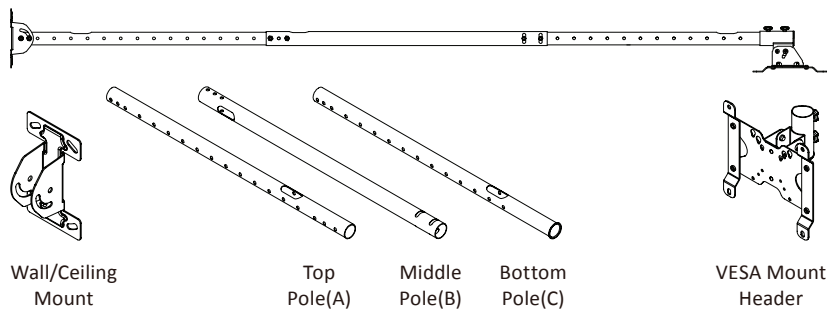
### Contact ViewZ

- Address : 177 W. Orangethorpe Ave., Placentia, CA 92870
- Phone : (714) 996-1177, Fax : (714) 996-1138
- Sales : sales@viewzusa.com
- Specification subject to change without notice.

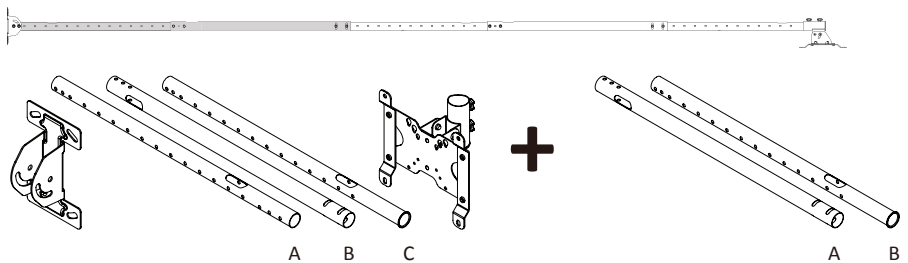
### Extension Pole Configuration



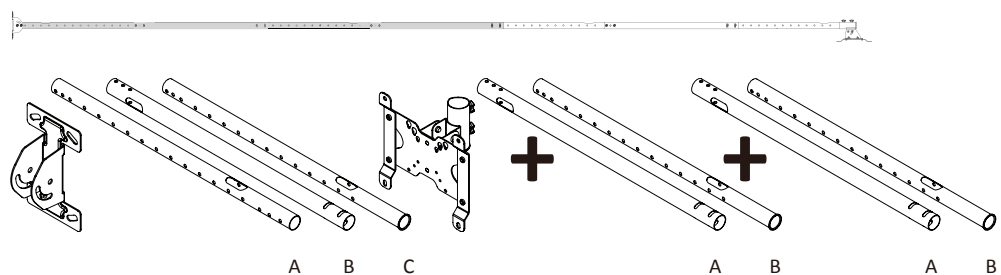
#### 8ft : VZ-CM308-W/B (1 set)



#### 13ft : VZ-CM308-W/B (1 set) + (Optional) VZ-CM-EW/EB (1 set)



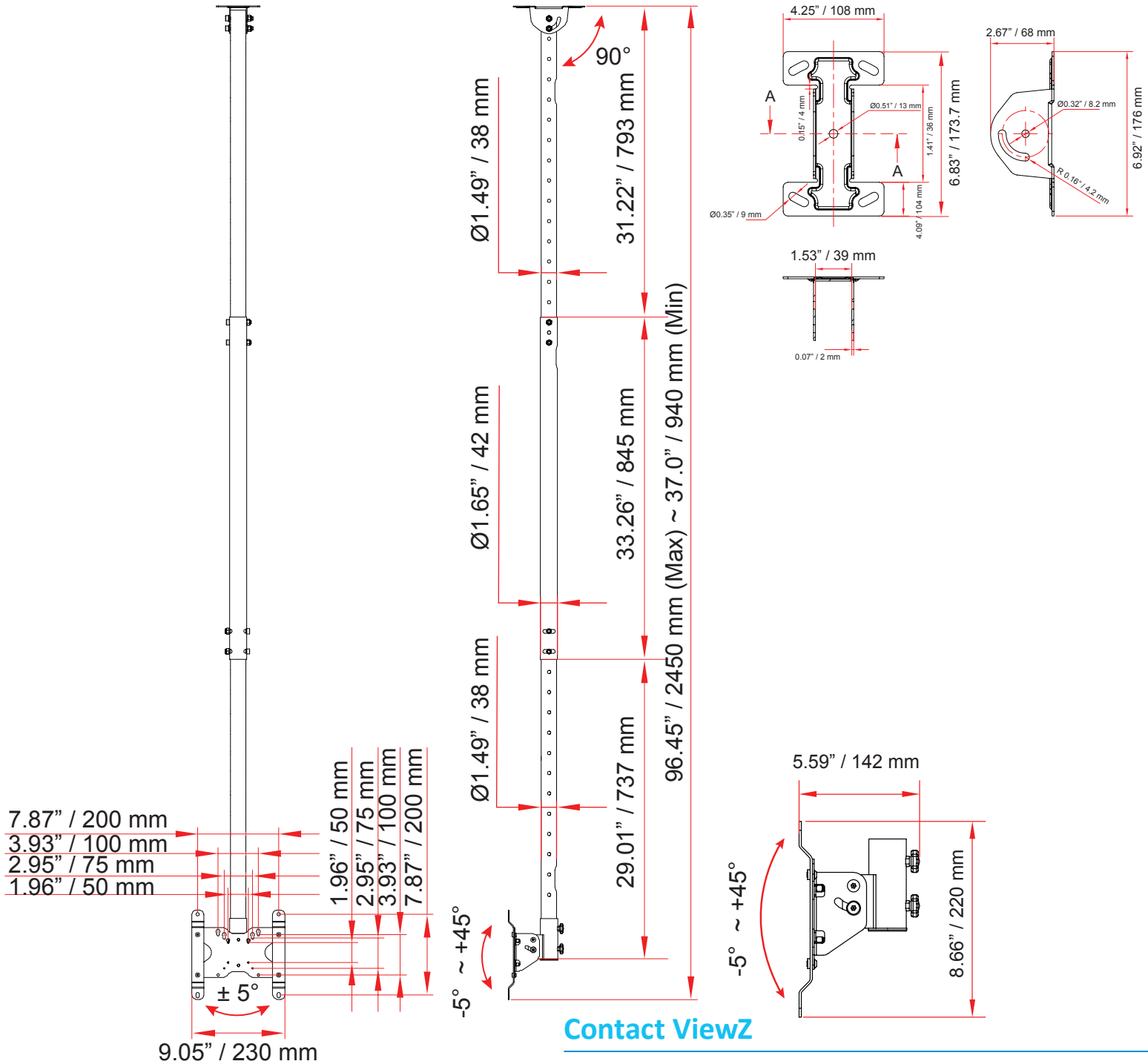
#### 18ft : VZ-CM308-W/B (1 set) + (Optional) VZ-CM-EW/EB (2 set)



### Contact ViewZ

- Address : 177 W. Orangethorpe Ave., Placentia, CA 92870
- Phone : (714) 996-1177, Fax : (714) 996-1138
- Sales : sales@viewzusa.com
- Specification subject to change without notice.

### DIMENSIONS



### Contact ViewZ

- Address : 177 W. Orangethorpe Ave., Placentia, CA 92870
- Phone : (714) 996-1177, Fax : (714) 996-1138
- Sales : sales@viewzusa.com
- Specification subject to change without notice.