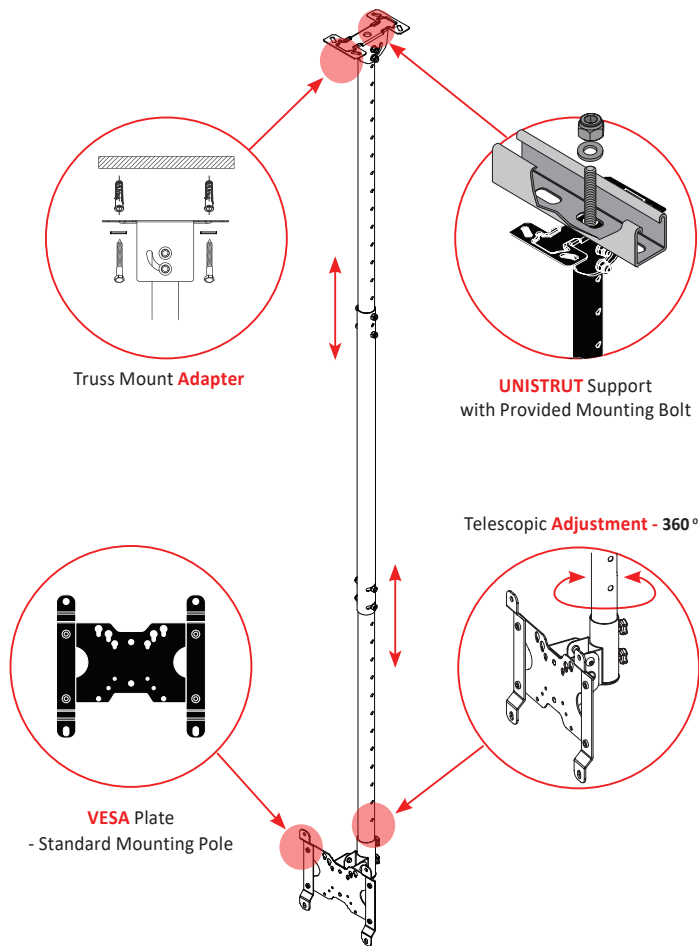


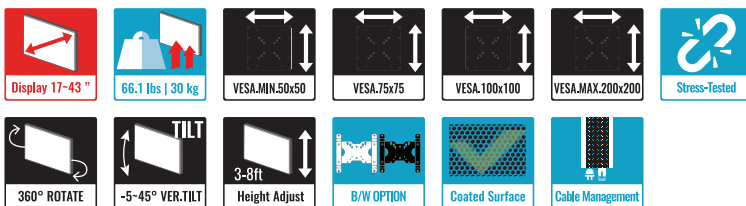
VZ-CM308-B

TELESCOPIC CEILING MOUNT



**AVAILABLE IN
2 COLORS**

VZ-CM308-W : White Pole / White Mount
VZ-CM308-B : Black Pole / Black Mount



MODEL #	VZ-CM308-B
FEATURES	
Net Weight / Gross Weight	16.09 lbs (7.3kg) / 18.29 lbs (8.3kg)
Weight Capacity per Head	66.13 lbs / 30.0 kg
Mount Plate (Wide x Height x Depth)	4.25" x 6.83" x 2.67" / 108 x 173.7 x 68 mm
Vesa Plate (Wide x Height x Depth)	9.05" x 8.66" x 5.59" / 230 x 220 x 142 mm
Pole Top (R x Length) inch / mm	∅ 1.49" x 32.67" / ∅ 38.0 x 830 mm
Middle (R x Length) inch / mm	∅ 1.65" x 33.26" / ∅ 42.0 x 845 mm
Bottom (R x Length) inch / mm	∅ 1.49" x 32.55" / ∅ 38.0 x 827 mm
Mounting Patterns Type	VESA
Mounting Patterns	50 x 50 (Min) - 200 x 200 (Max) mm
Display Range	17.0" ~ 43.0"
Installation Range	3 or 5.25 to 8 ft / 0.94 or 5.25 to 2.45 m
Installation Range (Optional)	3 or 5.25 to 18 ft / 0.94 or 5.25 to 5.48 m
PAN Rotation	360°
Tilt Capability	-5° ~ 45°

VZ-CM308-B ADVANTAGES

- The Telescopic Ceiling Mount (CM) Series allows quick and precise adjustment for installations ranging from 3', 5.25' to 8'
- Additional features allow -5° ~ 45° tilt adjustment as well as a 360° pan rotation for achieving that perfect viewing angle
- Standard Mounting Hole (VESA) 50 x 50, 75 x 75, 100 x 100, and 200 x 200 mm mounting patterns (Optional 400 x 400 available)
- Adjust from 3' to 8' for perfect placement and viewing
- Built-in cable management hides unsightly cable clutter and prevents cable pinching when used in low-voltage applications
- Unistrut support with provided mounting bolt
- Optional VZ-CM-EW/EB Extension Pole (5.6 ft) is available up to 18 ft
- MAX Load Capacity 66 lbs

Designed specifically for

IP PVM 23/27/32"

Smart AD PVM 32"

Smart AD PVM 43"

VZ-27/32/43 CMP

VZ-19/22/24 CMP

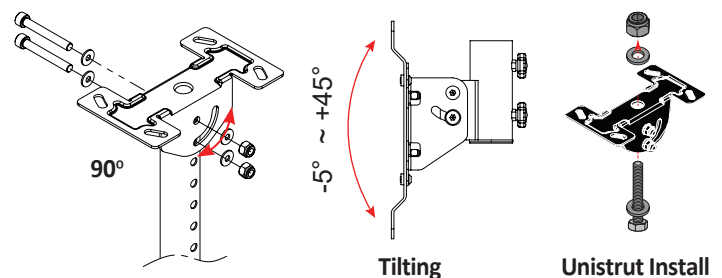
VZ-17/19 RTN

VZ-215/32 IPM

VZ-215D2IP

VZ-215LED-L

Features



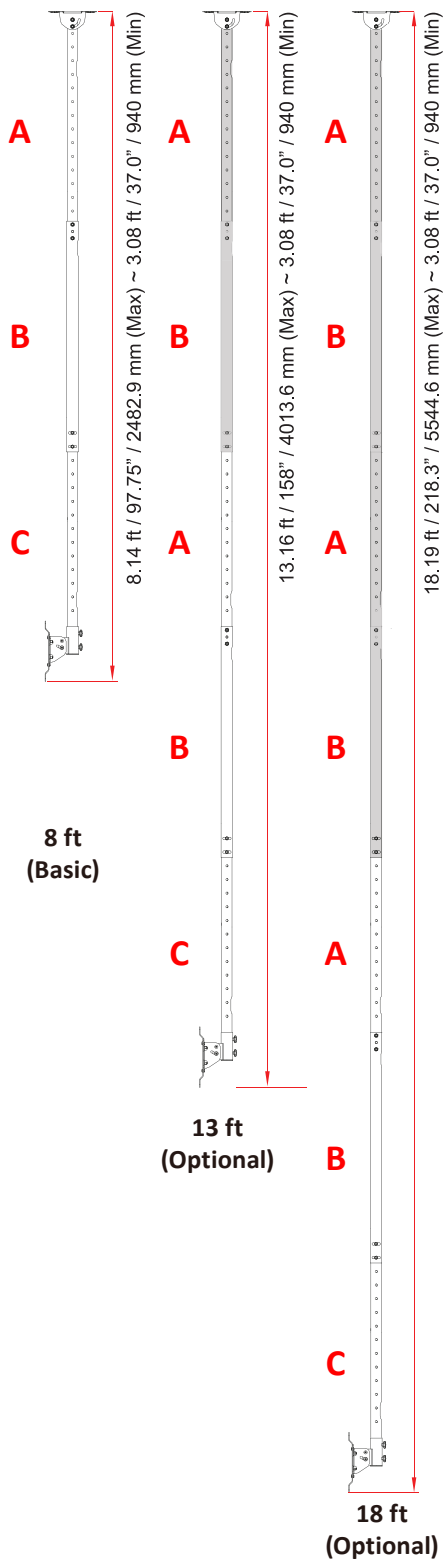
Contact ViewZ

- Address : 177 W. Orangethorpe Ave., Placentia, CA 92870
- Phone : (714) 996-1177, Fax : (714) 996-1138
- Email : sales@viewzusa.com

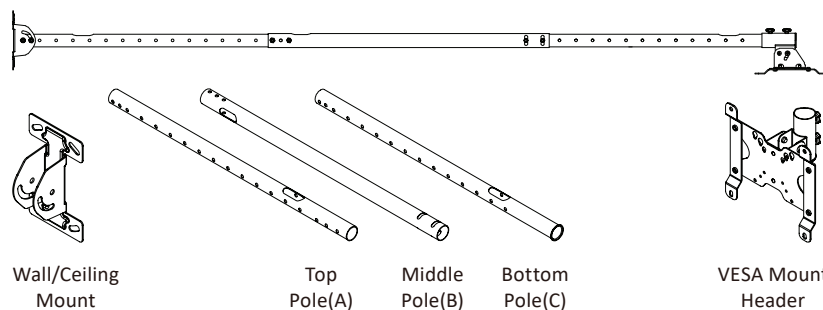
VZ-CM308-B

TELESCOPIC CEILING MOUNT

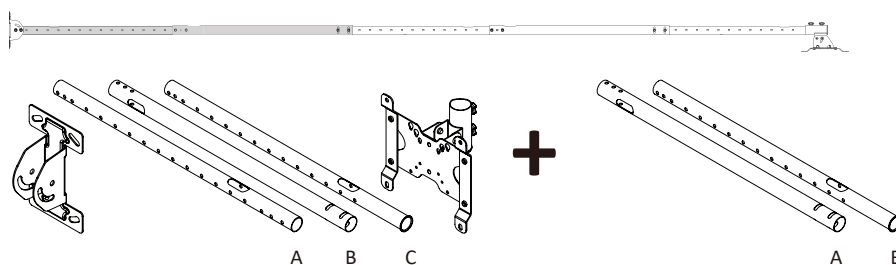
Extension Pole Configuration



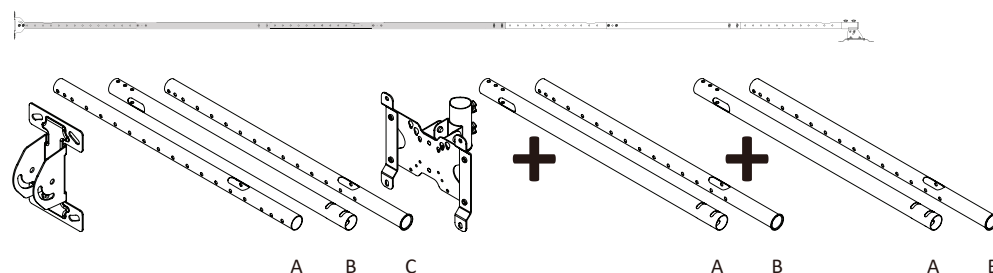
8ft : VZ-CM308-B (1 set)



13ft : VZ-CM308-B (1 set) + (Optional) VZ-CM-EW/EB (1 set)



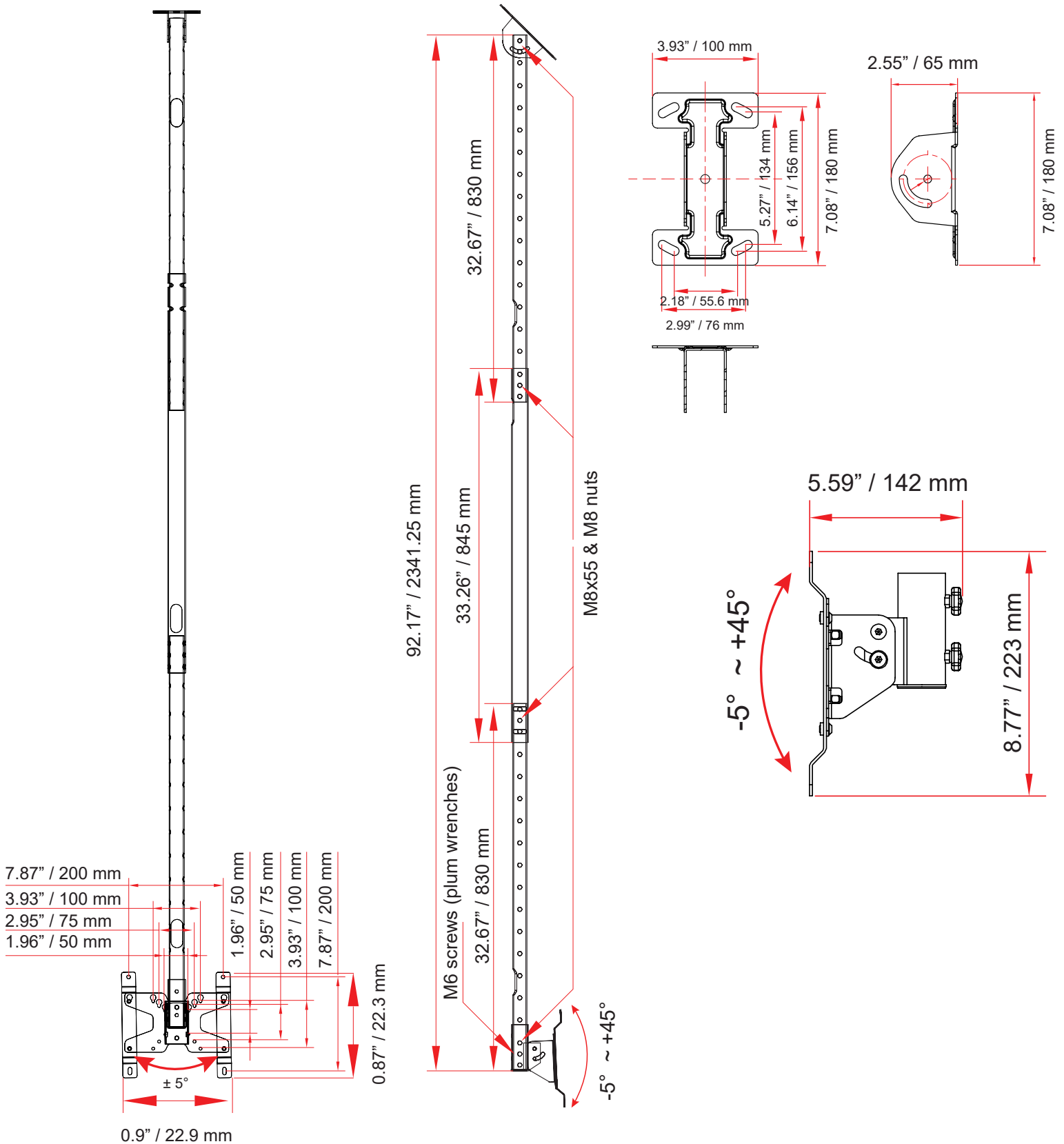
18ft : VZ-CM308-B (1 set) + (Optional) VZ-CM-EW/EB (2 set)



VZ-CM308-B

TELESCOPIC CEILING MOUNT

Dimensions



* Design and specifications are subject to change without notice.