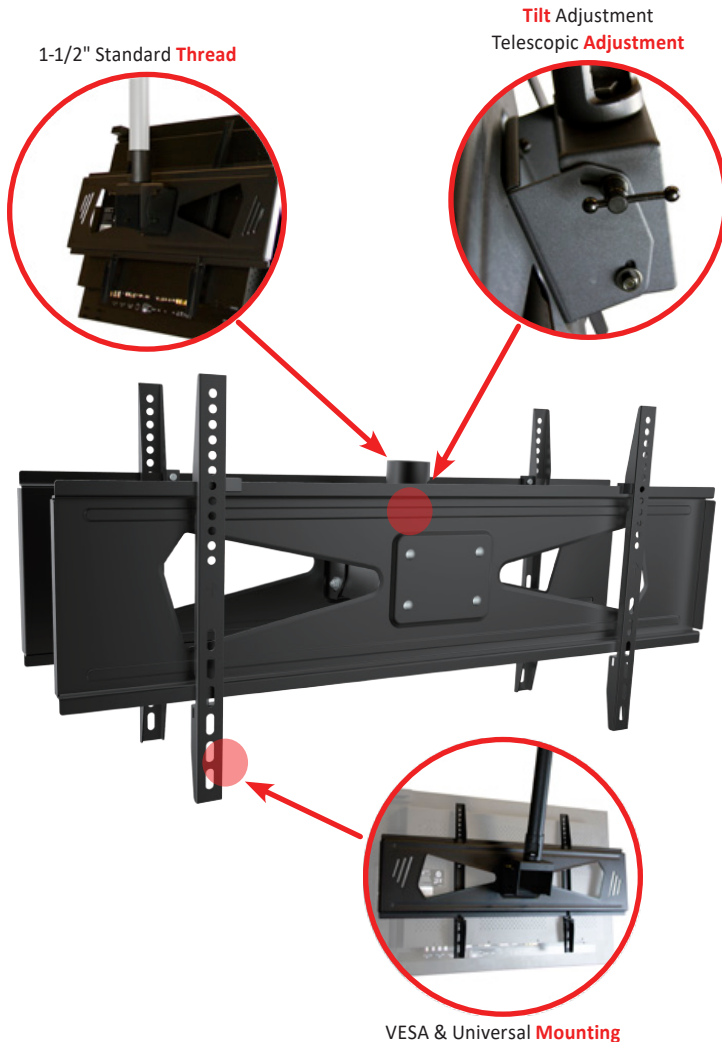


VZ-CM-V4

BACK to BACK DUAL Universal Mount Head FOR CEILING MOUNT

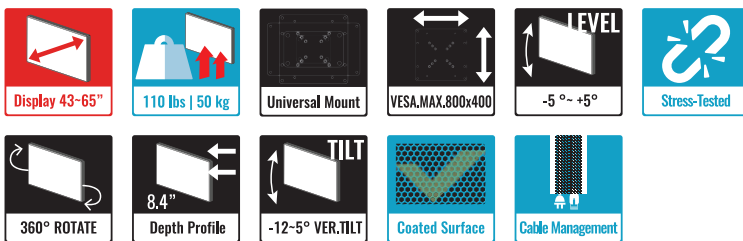


ADVANTAGES

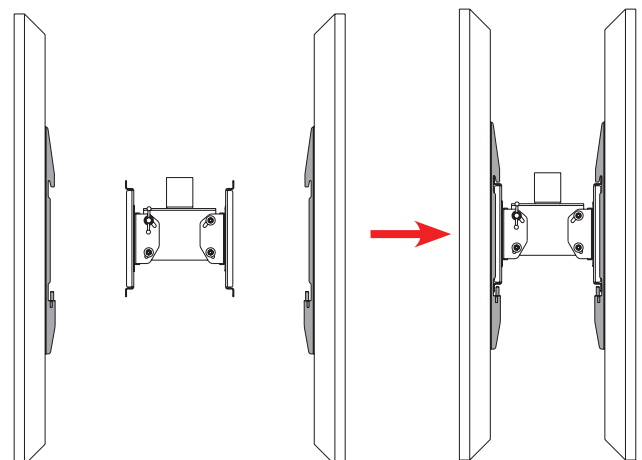
- Mounting head for 43" to 65" CCTV & Video Wall Monitors
- Load Capacity is 110 lbs / 50 kg
- 5° Tilt Up and 12° Tilt Down Adjustment along with 360° Pan Rotation For Achieving that Perfect Viewing Angle
- VESA & Universal Standard - 200x200, 300x300, 400x200, 400x400, 600x400, 800x400
- Easy Cable Management & Installation
- Pole Option : VZ-CM-P36 (35.5") and VZ-CM-P15 (8.7" ~ 14.55")

DESIGNED SPECIFICALLY FOR

| | | |
|----------|--------------|--------------|
| VZ-43CMP | VZ-49UHD | VZ-55UHD |
| VZ-65UHD | VZ-49UNBS | VZ-55UNBS |
| VZ-55SNB | VZ-55SHB | VZ-55ENB |
| VZ-55EHB | VZ-PVM-I5W3N | VZ-PVM-I5B3N |



FEATURES

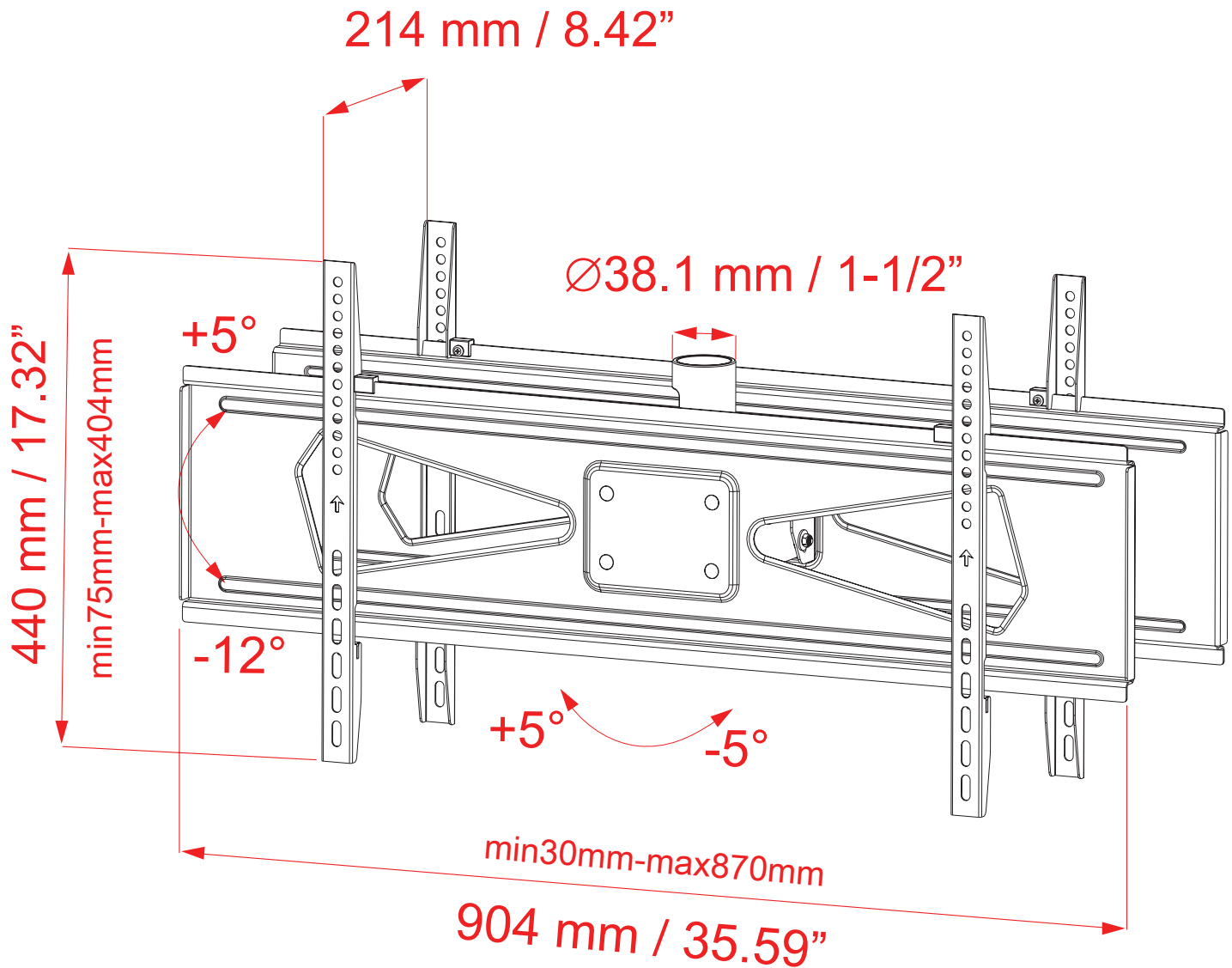


| MODEL # | VZ-CM-V4 |
|---|--|
| FEATURES | |
| Net Weight / Gross Weight | 22.04 lbs (10.0 kg) / 26.38 lbs (11.97 kg) |
| Weight Capacity | 110 lbs / 50 kg (for each head) |
| Display Range | 43" ~ 65" |
| Dimension (Width x Height x Depth) inch | 35.59 x 17.32 x 8.4" |
| (Width x Height x Depth) mm | 904 x 440 x 214 mm |
| Pole (R x Length) | ∅ 38.1 x 76 mm / ∅ 1.5" x 3" |
| Profile | 213.36 mm / 8.4" |
| PAN Rotation | 360° |
| Tilt Capability | +5° ~ - 12° |
| Level Capability | +5° ~ - 5° |
| Mounting Pattern Type | Universal, VESA |
| Mounting Patterns | 200x200, 300x300, 400x200, 400x400, 600x400, 800x400 |

VZ-CM-V4

BACK to BACK DUAL Universal Mount Head FOR CEILING MOUNT

DIMENSION



Contact ViewZ

- Address : 177 W. Orangethorpe Ave., Placentia, CA 92870
- Phone : (714) 996-1177, Fax : (714) 996-1138
- Sales : sales@viewzusa.com