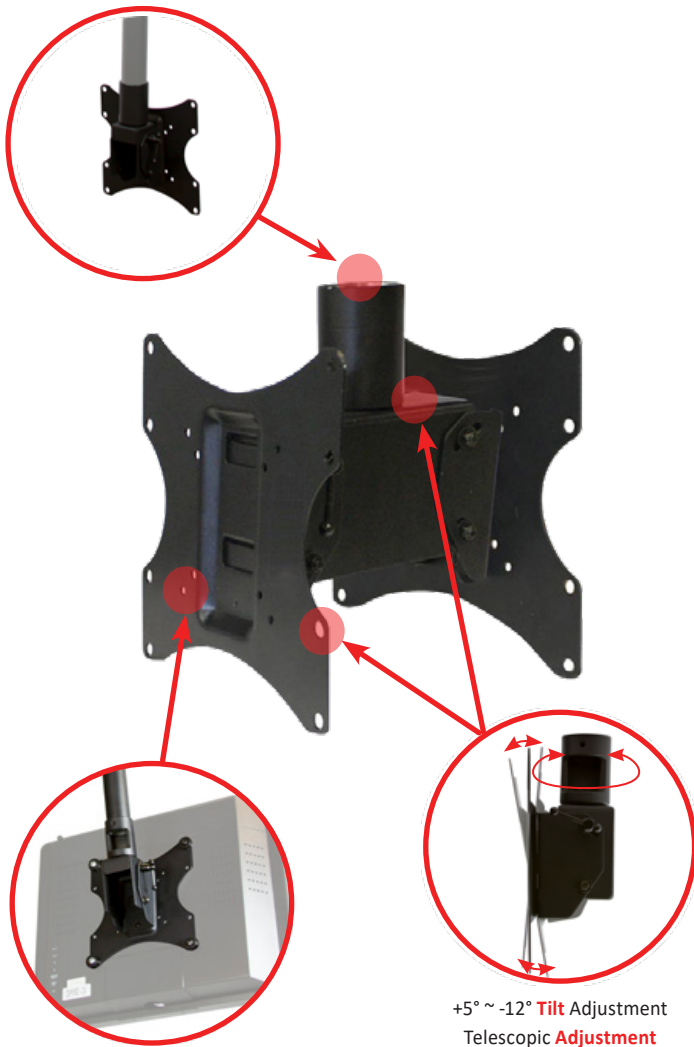


VZ-CM-V2

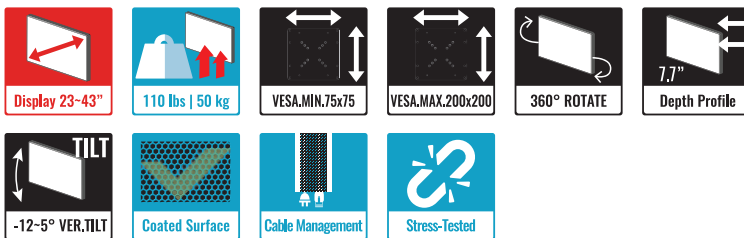
BACK to BACK DUAL VESA Mount Head FOR CEILING MOUNT

1-1/2" Standard Thread



VESA - Standard Mount Hole

+5° ~ -12° Tilt Adjustment
Telescopic Adjustment



MODEL #	VZ-CM-V2
FEATURES	
Net Weight / Gross Weight	7.0 lbs (3.18 kg) / 7.76 lbs (3.52 kg)
Weight Capacity	110 lbs / 50 kg (for each head)
Display Range	23" ~ 43"
Dimension (Width x Height x Depth) inch	8.66 x 9.92 x 7.67"
(Width x Height x Depth) mm	220 x 252 x 195 mm
Pole (R x Length)	Ø 38.1 x 76 mm / Ø 1.5" x 3"
Profile	195 mm / 7.67"
PAN Rotation	360 °
Tilt Capability	+5° ~ -12°
Mounting Pattern Type	VESA
Mounting Patterns	75x75, 100x100, 200x100, 200x200

ADVANTAGES

- Mounting head for 23" to 43" CCTV & Video Wall Monitors
- Load Capacity is 110 lbs / 50 kg
- 5° Tilt Up and 12° Tilt Down Adjustment along with 360° Pan Rotation For Achieving that Perfect Viewing Angle
- VESA Standard - 75x75, 100x100, 200x100 and 200x200
- Easy Cable Management
- Pole Option : VZ-CM-P36 (35.5") and VZ-CM-P15 (8.7" ~ 14.55")

DESIGNED SPECIFICALLY FOR

VZ-24/27/32/43CMP

VZ-PVM-I2W3-N

VZ-PVM-I2B3-N

VZ-PVM-I3W3-N

VZ-PVM-I3B3-N

VZ-PVM-I4W3-N

VZ-PVM-I4B3-N

VZ-PVM-I5W3-N

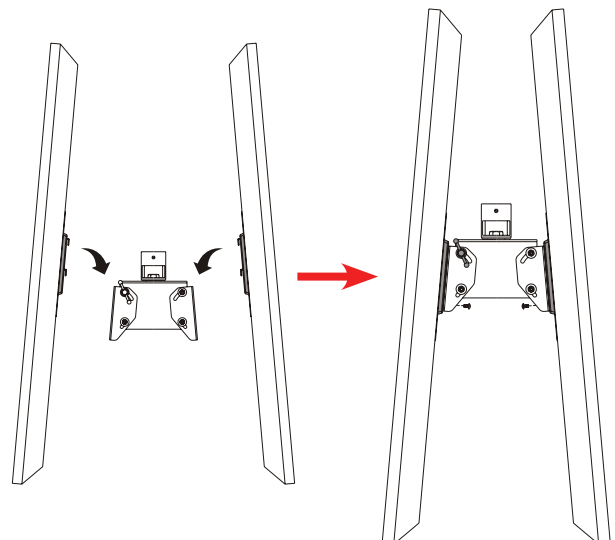
VZ-PVM-I5B3-N

VZ-PVM-P4B3/P4W3

VZ-PVM-P5B3/P5W3

VZ-24/32IPM

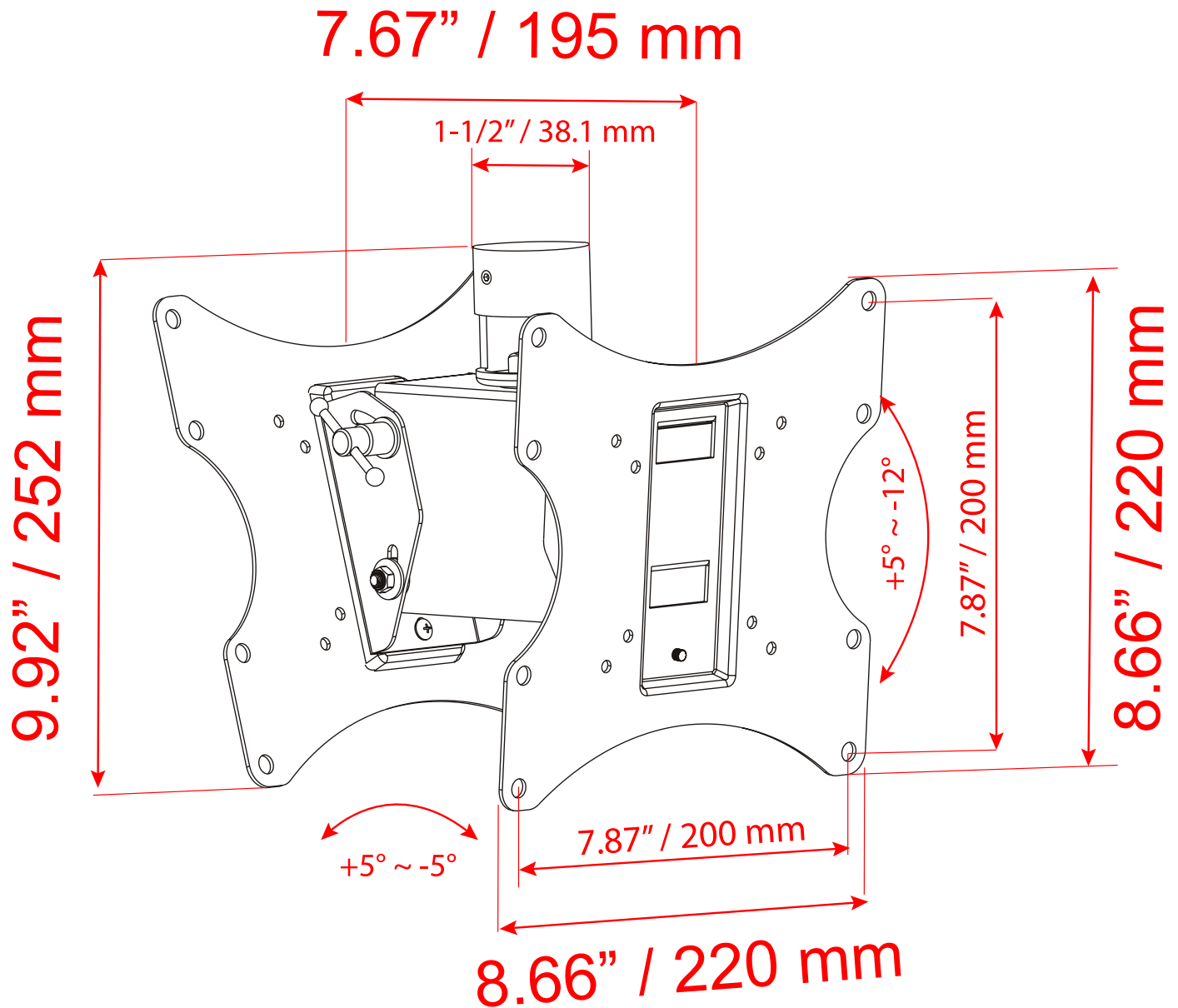
FEATURES



VZ-CM-V2

BACK to BACK DUAL VESA Mount Head FOR CEILING MOUNT

DIMENSION



Contact ViewZ

- Address : 177 W. Orangethorpe Ave., Placentia, CA 92870
- Phone : (714) 996-1177, Fax : (714) 996-1138
- Sales : sales@viewzusa.com