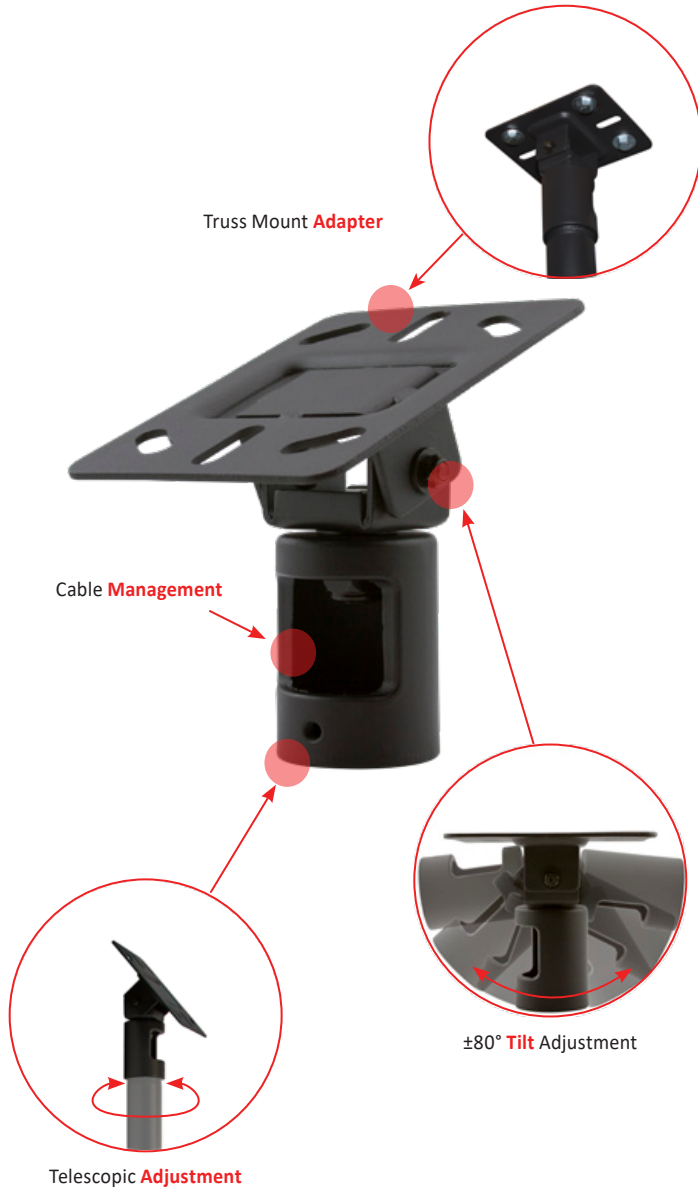


# VZ-CM-T

## TILT CEILING PLATE



### VZ-CM-T ADVANTAGES

- The Tilting Ceiling Mount Plate allows for Quick and Precise Installations on Bevel Type Ceiling
- Load Capacity is **110 lbs / 50 kg** & **90.5 mm** Profile to Mount
- **±80° Tilt Up / Down** along with 360° Pan Rotation for Achieving that Perfect Viewing Angle
- Fast and Easy Connection
- Connects to NPT Standard Pole Sizes - 1-1/2" (38.1mm)

### DESIGNED SPECIFICALLY FOR

**VZ-CM-P15**

Aluminum Extension Column 11" to 14.5"

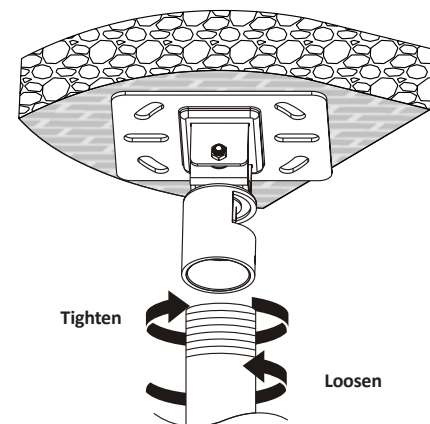
**VZ-CM-P36**

Aluminum Extension Column 35"

### FEATURES



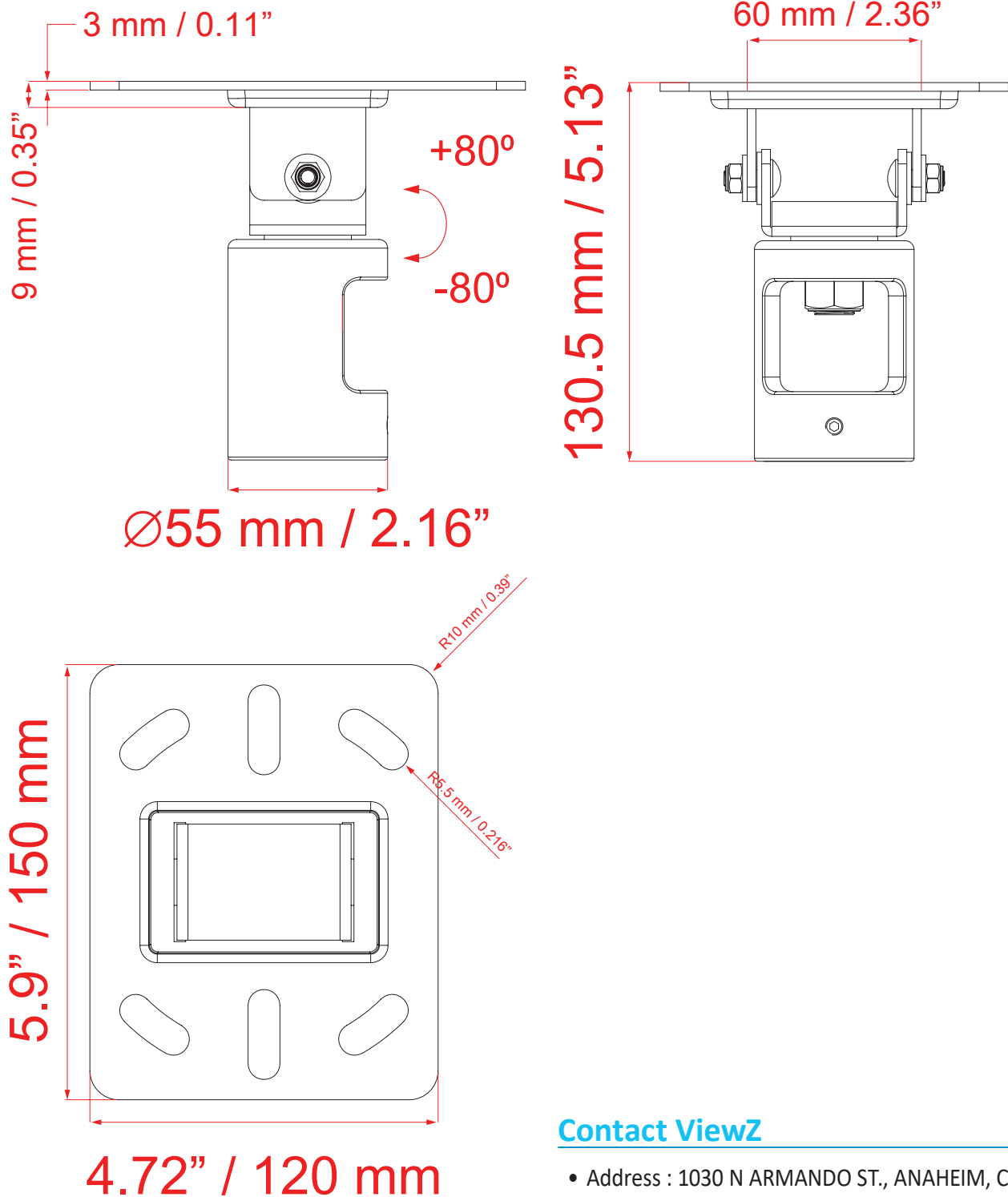
MODEL #	VZ-CM-T
<b>FEATURES</b>	
Net Weight	2.35 lbs / 1.07 kg
Weight Capacity	110 lbs / 50 kg
Ceiling Plate (Width x Height x Depth)	150 x 120 x 53mm / 5.9" x 4.72" x 2.08"
Pole ( R x Length )	∅ 38.1 x 76 mm / ∅ 1.5" x 3"
Ceiling Plate Profile	130.5 mm / 5.13"
Swivel ( PAN )	360 °
Tilt Capability ( Vertical )	±80°



# VZ-CM-T

## TILT CEILING PLATE

### DIMENSION



### Contact ViewZ

- Address : 1030 N ARMANDO ST., ANAHEIM, CA 92806
- Phone : (714) 996-1177, Fax : (714) 996-1138
- Sales : sales@viewzusa.com