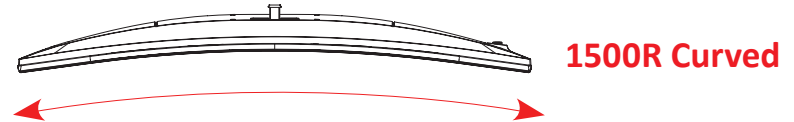




VZ-27CGM ADVANTAGES

- 27" Curved LED Panel
- Supports Full HD (1920x1080) Resolution
- Ultrawide 1500R Curved Screen
- High Response Time - 1ms / Support MPRT
- Supported Display Port (1.2) In x2, HDMI (2.0) In x2, Audio Out x1
- Supports HDR 10
- Wide Viewing Angle (IPS Panel)



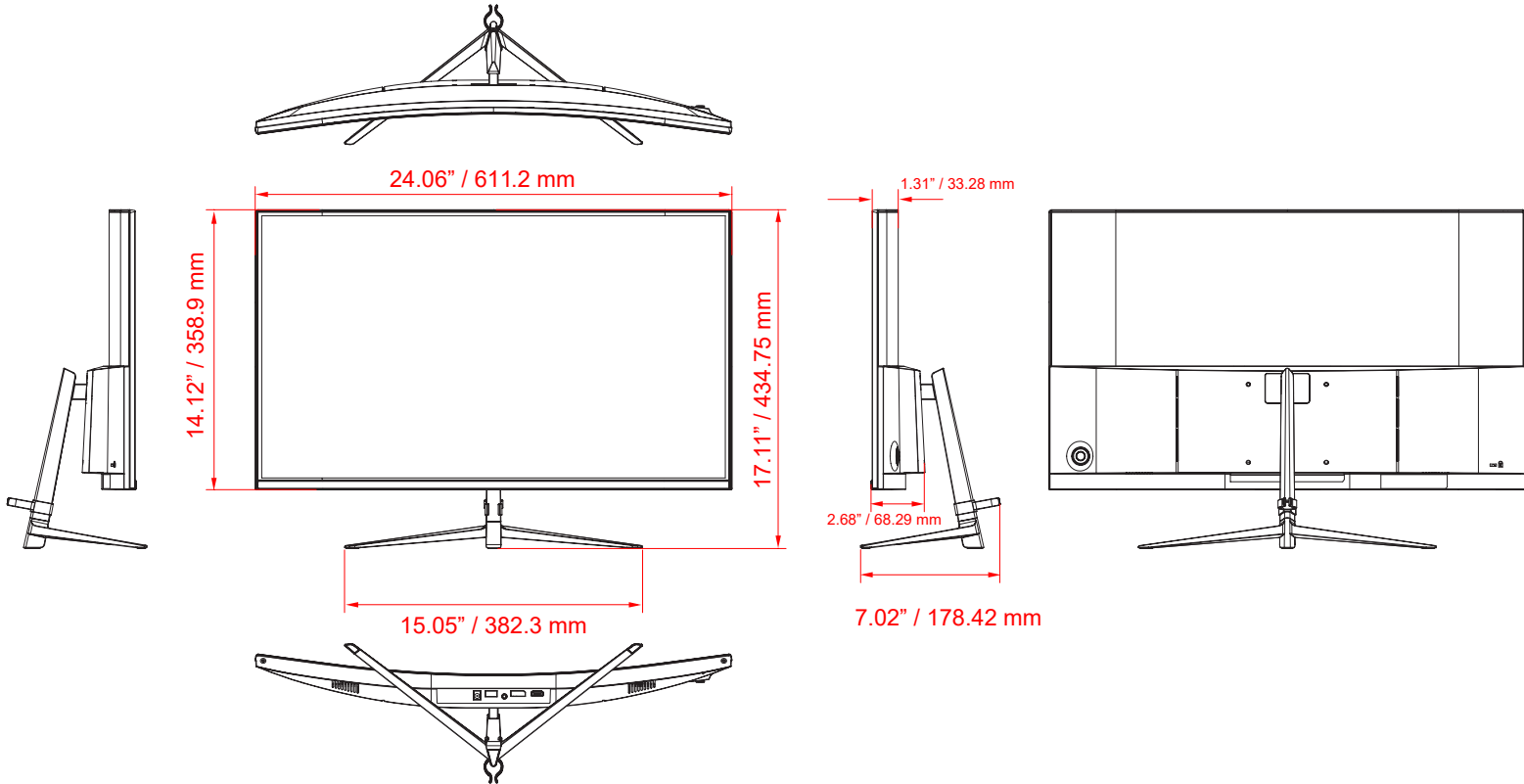
MODEL #		VZ-27CGM
VIDEO		
Screen Size	27"	
Max. Resolution	1920 x 1080 @60Hz	
Pixel Pitch	0.3114 mm x 0.3114 mm	
Brightness	350cd/m ² (Typical)	
Contrast Ratio	3000:1	
Aspect Ratio	16 : 9 (1.78 : 1)	
Viewing Angle (H/V)	178° / 178°	
Display Color	16.7 M	
Response Time	< 1 ms	
INTERFACE		
Display Port In	2	
HDMI (2.0) In	2	
Audio Out	1	
SPECIAL FEATURES		
DDC/CI (Command)	Support	
MPRT (Moving Picture Response Time)	Support	
Advanced DCR (Dynamic Contrast Ratio)	Support	
Adaptive Sync	Support	
Blue Light Filter	Support	
AUDIO		
Built in speaker	3W x 2	

DIMENSIONS & WEIGHT		
Outline Dimension (W x H x D)		24.06" x 14.12" x 2.68"
		611.2 mm x 358.9 mm x 68.29 mm
Net Weight / Gross Weight		7.7 lbs (3.5 kg) / 11.28 lbs (5.11 kg)
MOUNT		
VESA	100 x 100 mm	
GENERAL		
Power	Electrical Ratings Consumption	DC 12V (AC100 ~ 240V (50/60Hz)) ≤ 32 W
Regulations	CE, FCC (A), RoHS	
Operating Temperature	32 - 122°F / 0°C ~ 50°C	
Operating Humidity	5 ~ 90% RH	
Language (OSD)	English	
Compatible Mounts	Wall Ceiling	VZ-WM50, VZ-AM02-A VZ-CMKIT-01, VZ-CM308
Accessories	Stand (1set), Manual (1pc), Power Adapter (1pc), HDMI Cable (1pc)	

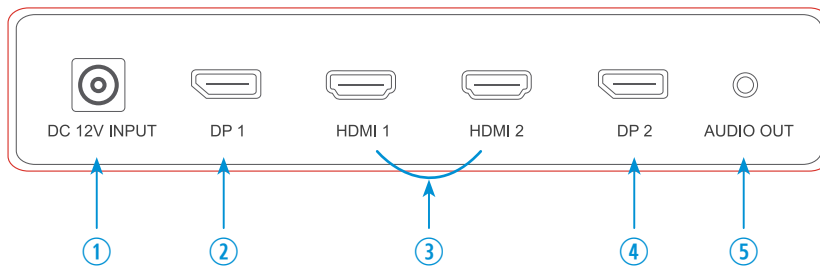
Contact ViewZ

- Address : 177 W. Orangethorpe Ave., Placentia, CA 92870
- Phone : (714) 996-1177, Fax : (714) 996-1138
- Sales : sales@viewzusa.com

DIMENSIONS



INTERFACE



1. DC 12V
2. Display Port IN x1
3. HDMI IN x2
4. Display Port IN x1
5. Audio OUT

Contact ViewZ

- Address : 177 W. Orangethorpe Ave., Placentia, CA 92870
- Phone : (714) 996-1177, Fax : (714) 996-1138
- Sales : sales@viewzusa.com