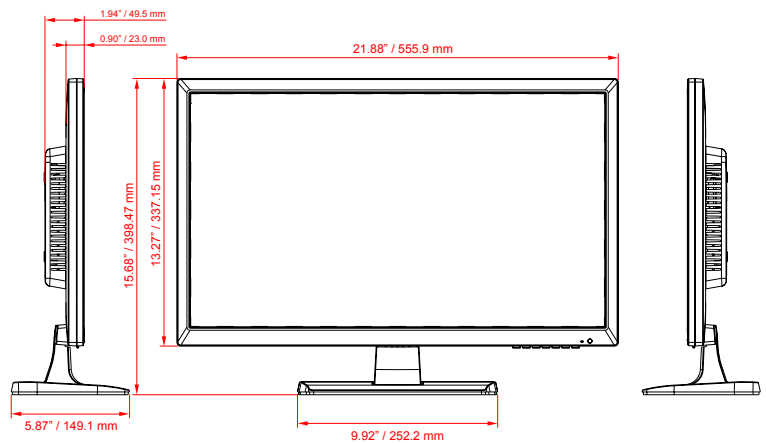




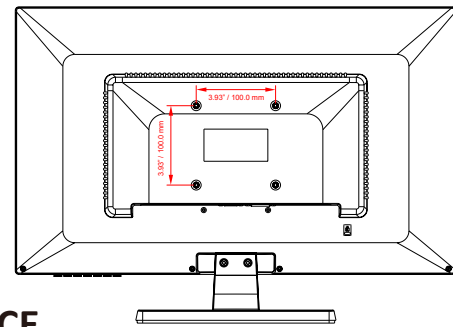
VZ-24CME ADVANTAGES

- 23.6" Full HD Resolution
- 16:9 / 4:3 Ratio Available
- HDMI, DVI, VGA
- Built-in Speakers
- 3-Year Warranty

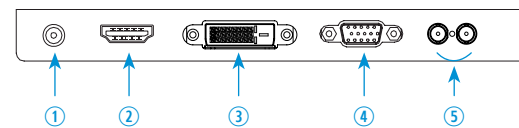
DIMENSIONS



MODEL #		VZ-24CME
VIDEO		
Screen Size		23.6"
Max. Resolution		1920 x 1080 @60Hz
Pixel Pitch		0.2715 mm x 0.2715 mm
Brightness		300cd/m ² (Typical)
Contrast Ratio		1000:1
Aspect Ratio		16 : 9
Viewing Angle (H/V)		170° / 160°
Display Color		16.7 Million
Response Time		< 5 ms
Video System		NTSC / PAL
INTERFACE		
HDMI In		1
DVI In		1
VGA In (15Pin D-Sub)		1
Audio In / Out		1 / 1
AUDIO		
Built in speaker		2W X 2
SPECIAL FEATURES		
Language		English, Deutsch, French, Spanish, Italian
DIMENSIONS & WEIGHT		
Outline Dimension (W x H x D)		21.88" x 15.68" x 1.94" 555.90 mm x 398.47 mm x 49.5 mm
Net Weight / Gross Weight		9.92 lbs (4.5kg) / 10.36 lbs (4.7kg)
MOUNT		
VESA		100mm x 100mm (M4 x L8 screws)
GENERAL		
Power	Electrical Ratings	DC 12V, 3A (AC 100-240V, 50/60Hz)
	Consumption	≤ 28 W
Operating Temperature Humidity		14 ~ 122°F / -10 ~ 50°C 20 ~ 70% RH
Regulations		FCC(A), CE, WEEE
Compatible Mounts	WALL	VZ-WM05, VZ-WM11, VZ-AM01, VZ-AM02
	CEILING	VZ-CMKIT-01
	RACK	VZ-RMK08



INTERFACE



1. DC12V IN
2. HDMI IN
3. DVI IN
4. VGA IN
5. AUDIO IN / OUT

Contact ViewZ

- Address : 177 W. Orangethorpe Ave., Placentia, CA 92870
- Phone : (714) 996-1177, Fax : (714) 996-1138
- Sales : sales@viewzusa.com
- Specification subject to change without notice.