

# VZ-215LED-L1-ME

## 3G-SDI HD HIGH PERFORMANCE MONITOR



### VZ-215LED-L1-ME ADVANTAGES

- 21.5" 1080p HD Resolution
- HDMI, VGA, SD/HD/3G-SDI (Level A/B), COMPONENT
- Blue Mono, Built-in 2 Speakers
- SDI Embedded Audio Level Meter / 2ch Displays (out of 16ch)
- Center Marker / Safety Area / Corner
- Scan - Zero, Over and pixel to pixel
- Front Function Assignable Button
- Medical Safety Power Supply Approved (2 x MOPP) according to ANSI/AAMI ES60601-1 and IEC/EN60601-1
- 3-Year Warranty



MODEL #		VZ-215LED-L1-ME
<b>SPECIFICATION</b>		
Screen Size		21.5"
Max. Resolution		1920 x 1080 @60Hz
Pixel Pitch		0.24825 mm x 0.24825 mm
Brightness		250 cd/m <sup>2</sup> (Typical)
Contrast Ratio		1000 : 1
Aspect Ratio		16 : 9
Viewing Angle (H/V)		170° / 160°
Display Color		16.7 Million
Response Time		< 5 ms
<b>INTERFACE</b>		
Component In		3
3G-SDI In / Out		1 / 1 (BNC, 1 input / loop-through out)
VGA In (15Pin D-Sub)		1
HDMI In		1
USB In		1
Speaker Out		1
PC Stereo In		1
<b>AUDIO</b>		
Built in Speaker		2W x 2
<b>DIMENSIONS &amp; WEIGHT</b>		
Outline Dimension (W x H x D)		20.32" x 13.65" x 1.72" 516.0 mm x 346.9 mm x 43.6 mm
Net Weight		8.4 lbs / 3.8 kg
<b>MOUNT</b>		
VESA		100mm x 100mm / M4 x L10 Screws
<b>GENERAL</b>		
Power	Electrical Ratings	DC12V (AC100 ~ 240V[50/60Hz])
	Consumption	≤ 24 W
Warranty		2 Year
Operating Temperature		32 - 104°F / 0 ~ 40°C
Regulations		FCC(A), CE, RoHS
Compatible Mounts	Wall	VZ-WM05, VZ-WM11, VZ-AM01
	Ceiling	VZ-CM308, VZ-CMKIT-01, VZ-CMKIT-02
	Rack	VZ-RMK08

INPUT FORMAT		
SDI	SMPTE 425M-A & B (YCbCr 4:2:2)	1080p (60/59.94/50)
	SMPTE 274M (YCbCr 4:2:2)	1080i (60/59.94/50)
		1080p (30/29.97/25/24/23.98)
		1080psf (30/29.97/25/24/23.98)
		720p (60/59.94/50/30/29.97/25/24/23.98)
		525i (NTSC 59.94)
	SMPTE 296M (YCbCr 4:2:2)	625i (PAL 50)
	SMPTE 125M (YCbCr 4:2:2)	2048 x 1080P (24/23.98/24sF/23.98sF)
	ITU-R BT.601 (YCbCr 4:2:2)	1080p (60/59.94/50, 30/29.97/25/24/23.98)
ANALOG	2K Format (YCbCr 4:2:2)	1080i (60/59.94/50), 720P(60/59.94/50)
	COMPONENT	1080i (60/59.94/50), 720P(60/59.94/50)
HDMI		480i/480p/576i/576p/1080i/1080p
VGA		VGA, SGA, XGA, SXGA, WXGA, WUXGA
<b>SPECIAL FEATURES</b>		
Line Marker Option		3:2, 4:3, 1.85:1, 2.35:1, Off
Safety Area Option		Off, 80%, 85%, 88%, 90%, 93% and 95%
SDI Sound Channel Option		Two (2) Channels out of sixteen (16) channels
RGB Gain		-128 to 128
RGB Bias		-128 to 128

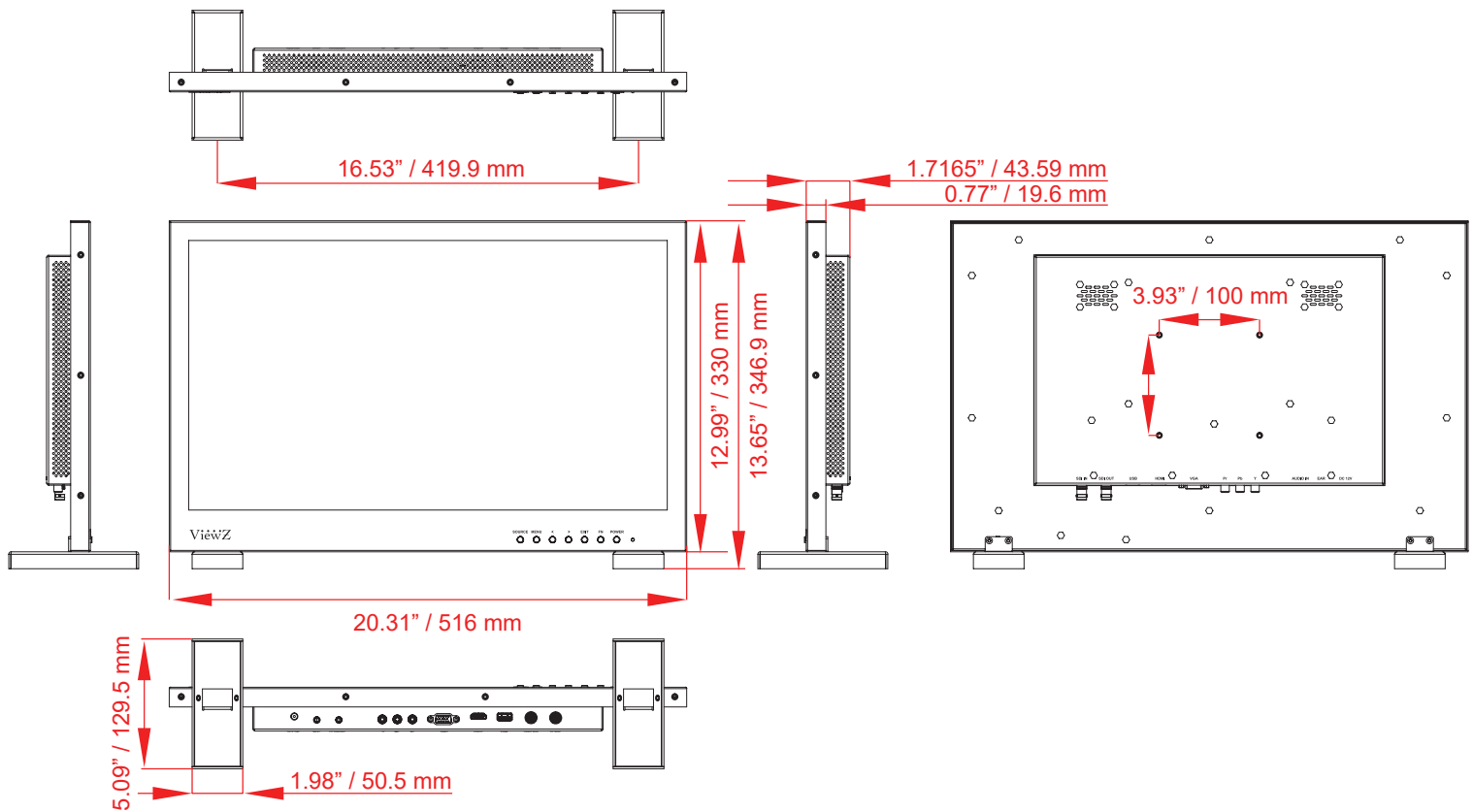
### Contact ViewZ

- Address : 177 W. Orangethorpe Ave., Placentia, CA 92870
- Phone : (714) 996-1177, Fax : (714) 996-1138
- Sales : sales@viewzusa.com

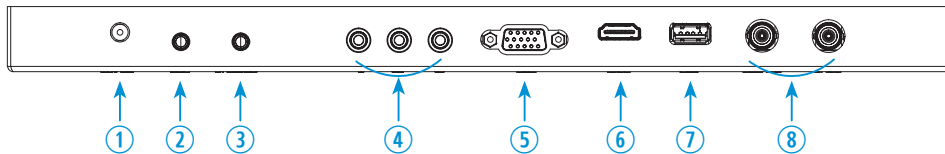
# VZ-215LED-L1-ME

## DIAGNOSTIC DISPLAY

### DIMENSIONS



### INTERFACE



1. DC 12V IN
2. SPEAKER OUT
3. PC STEREO IN
4. COMPONENT IN
5. VGA IN
6. HDMI IN
7. USB IN
8. 3G-SDI IN / OUT

### Contact ViewZ

- Address : 177 W. Orangethorpe Ave., Placentia, CA 92870
- Phone : (714) 996-1177, Fax : (714) 996-1138
- Sales : sales@viewzusa.com