

VZ-19CMP-ME

CLINICAL REVIEW HIGH-PERFORMANCE DISPLAY

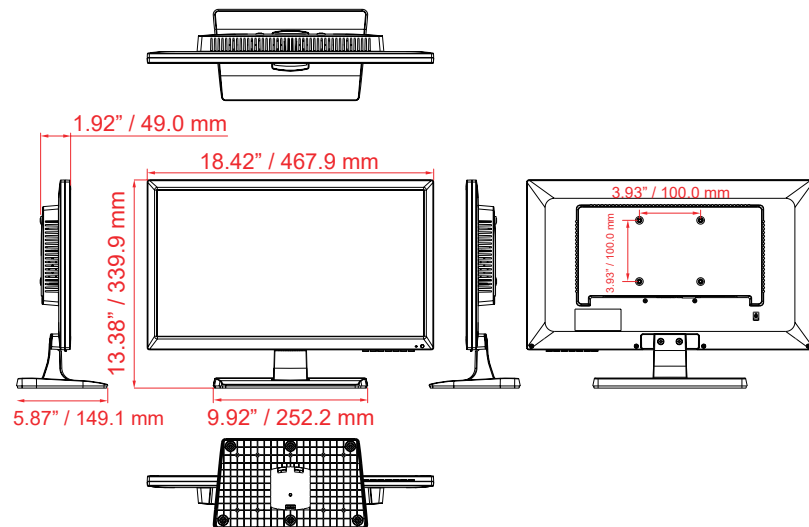


MODEL #		VZ-19CMP-ME
SPECIFICATION		
Screen Size		19.5"
Max. Resolution		1920 x 1080 @60Hz
Pixel Pitch		0.2265 mm x 0.2265 mm
Brightness		200 cd/m ² (Typical)
Contrast Ratio		3000 : 1
Aspect Ratio		16 : 9
Viewing Angle (H/V)		176° / 176°
Display Color		16.7 Million
Response Time		< 25 ms
INTERFACE		
CVBS (BNC) In / Out		1 / 1
VGA In (15Pin D-Sub)		1
HDMI In		1
PC Audio In / AV Audio In		1 / 1
AUDIO		
Built in Speaker		3W x 2
INTERFACE		
Filter Type		3D Comb-filter / De-Interlace
Language		English, Deutsch, French, Spanish, Italian
DIMENSIONS & WEIGHT		
Outline Dimension (W x H x D)		18.42" x 13.38" x 1.92"
		467.9 mm x 339.9 mm x 49.0 mm
Net Weight / Gross Weight		7.27 lbs (3.3kg) / 8.59 lbs (3.9kg)
MOUNT		
VESA		100mm x 100mm (M4 x L8 screws)
GENERAL		
Power	Electrical Ratings	DC 12V, 3A (AC 100-240V, 50/60Hz)
	Consumption	≤ 24 W
Warranty		3 Year
Operating Temperature Humidity		14 ~ 122°F / -10 ~ 50°C 20 ~ 70% RH
Regulations		FCC(A), CE, RoHS
Compatible Mounts	Wall	VZ-WM05, VZ-WM11, VZ-AM02-A
	Ceiling	VZ-CMKIT-01, VZ-CM308
	Rack	VZ-RMK08

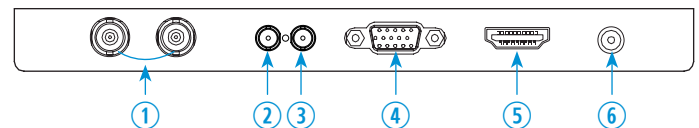
VZ-19CMP-ME ADVANTAGES

- 19.5" Full HD Resolution
- 3D Comb-filter, De-Interlace
- 16:9 / 4:3 Ratio Available, HDMI, VGA, PC Audio, AV Audio
- 1 CVBS (BNC) Input / Output (Loop-through)
- Built-in Speakers, Auto Source & Power Recovery
- Medical Safety Power Supply Approved (2 x MOPP) according to ANSI/AAMI ES60601-1 and IEC/EN60601-1
- Built to run 24/7/365
- 3-Year Warranty

DIMENSIONS



INTERFACE



1. AV IN / OUT
2. PC Audio IN
3. AV Audio IN
4. VGA IN
5. HDMI IN
6. DC12V IN

Contact ViewZ

- Address : 177 W. Orangethorpe Ave., Placentia, CA 92870
- Phone : (714) 996-1177, Fax : (714) 996-1138
- Sales : sales@viewzusa.com