

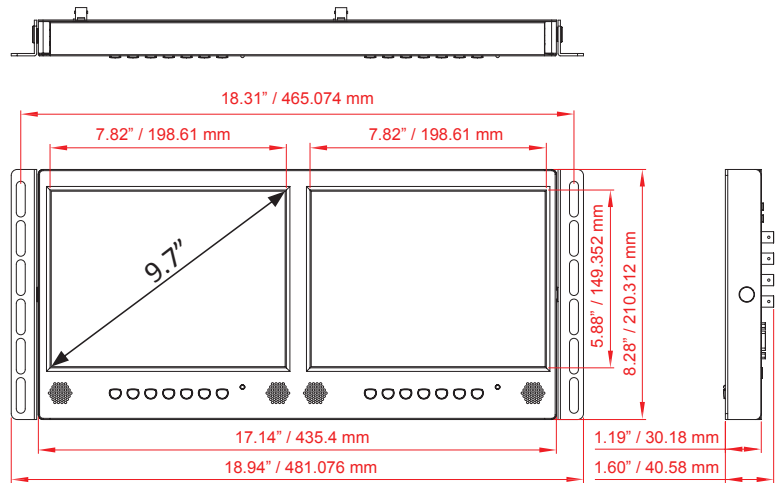
DUAL LED DISPLAY RACK MOUNT CCTV MONITOR



VZ-097RCR-D ADVANTAGES

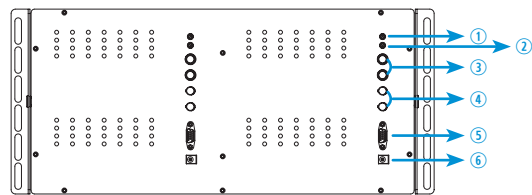
- Dual 9.7" LED Display Rack Mount (5U) CCTV Monitor
- 1024 x 768 Resolution
- BNC, RCA, VGA
- 2D Comb-filter, De-interlace, Built-in Speakers
- 3-Year Warranty

DIMENSIONS



MODEL #		VZ-097RCR-D
VIDEO		
Screen Size	9.7"	
Max. Resolution	1024 x 768 @60Hz	
Pixel Pitch	0.192 mm x 0.192 mm	
Brightness	350 cd/m ² (Typical)	
Contrast Ratio	600:1	
Aspect Ratio	4 : 3	
Viewing Angle (H/V)	160° / 160°	
Display Color	0.26 Million	
Response Time	< 35ms	
Video System	NTSC / PAL	
INTERFACE		
AV(Composite) In/ Out (BNC Type)	(1 / 1) x 2	
AV(Composite) In/ Out (RCA Type)	(1 / 1) x 2	
RGB In (15Pin D-Sub)	1 x 2	
PC Audio In	1 x 2	
Trigger In	1 x 2	
DC 12V In	1 x 2	
AUDIO		
Built in speaker	(1W x 2) x 2	
SPECIAL FEATURES		
Filter Type	2D Comb-filter / De-Interlace	
Multi-lingual Language	English, Spanish, French, German, Italian, Portuguese, Dutch	
DIMENSIONS & WEIGHT		
Outline Dimension (W x H x D)	18.94" x 8.28" x 1.60"	
	481.076 mm x 210.312 mm x 40.58 mm	
Net Weight / Gross Weight	6.61 lbs (2.99 Kg) / 10.58 lbs (4.79 Kg)	
MOUNT		
Form Factor	5U Rack Mounting	
Mount Type	Tilt-able Rack Mount	
GENERAL		
Power	Electrical Ratings	DC 12V, 1.36A (AC100 ~ 240V[50/60Hz])
	Consumption (Typ/Max)	16.4 W
Warranty	Parts/ Labor	3 Year / 3 Year
Operating Temperature	32 - 104°F / 0 - 40°C	
Regulations	NRTL(=UL), FCC(A)	

INTERFACE



1. TRIGGER IN
2. PC Audio IN
3. AV(composite)1 IN/OUT (BNC Type)
4. AV(composite)2 IN/OUT (RCA Type)
5. VGA IN
6. DC 12V IN

Contact ViewZ

- Address : 177 W. Orangethorpe Ave., Placentia, CA 92870
- Phone : (714) 996-1177, Fax : (714) 996-1138
- Sales : sales@viewzusa.com
- Specification subject to change without notice.