

VZ-24CMP-ME

CLINICAL REVIEW HIGH-PERFORMANCE DISPLAY

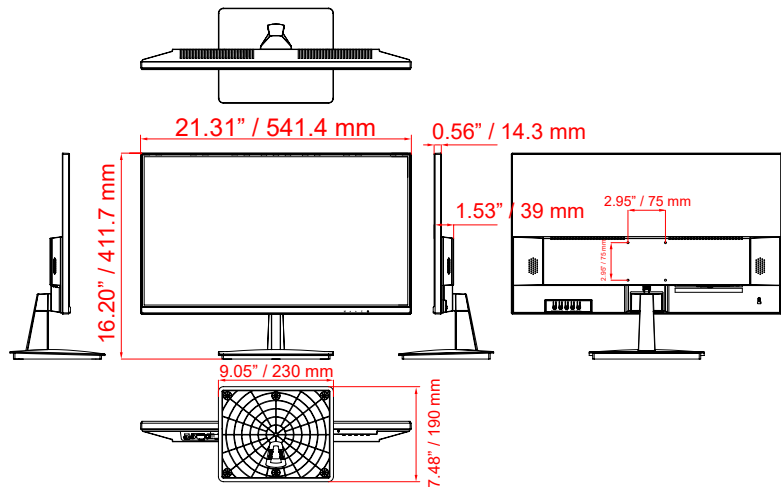


MODEL #		VZ-24CMP-ME
SPECIFICATION		
Screen Size		23.8"
Max. Resolution		1920 x 1080 @60Hz
Pixel Pitch		0.2745 mm x 0.2745 mm
Brightness		250 cd/m ² (Typical)
Contrast Ratio		1000 : 1
Aspect Ratio		16 : 9
Viewing Angle (H/V)		178° / 178°
Display Color		16.7 Million
Response Time		< 8 ms
INTERFACE		
CVBS (BNC) In / Out		1 / 1
VGA In (15Pin D-Sub)		1
HDMI In		1
Audio In		1
AUDIO		
Built in Speaker		2W x 2
INTERFACE		
Filter Type		3D Comb-filter / De-Interlace
Language		English, Deutsch, French, Spanish, Italian
DIMENSIONS & WEIGHT		
Outline Dimension (W x H x D)		21.31" x 16.2" x 1.53" 541.4 mm x 411.7 mm x 39.0 mm
Net Weight / Gross Weight		8.04 lbs (3.65kg) / 9.92 lbs (4.5kg)
MOUNT		
VESA		75mm x 75mm (M4 x L8 screws)
GENERAL		
Power	Electrical Ratings Consumption	DC 12V, 3A (AC 100-240V, 50/60Hz) ≤ 24 W
Warranty		3 Year
Operating Temperature Humidity		14 ~ 122°F / -10 ~ 50°C 5 ~ 90% RH
Regulations		FCC(A), CE, RoHS
Compatible Mounts	Wall Ceiling	VZ-WM05, VZ-WM11, VZ-AM02-A VZ-CM308, VZ-CMKIT-01

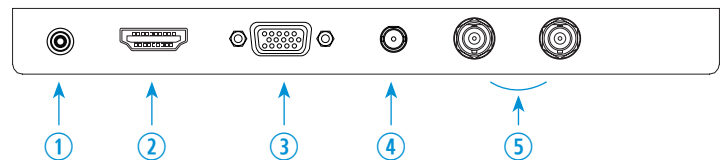
VZ-24CMP-ME ADVANTAGES

- 23.8" Full HD Resolution
- 3D Comb-filter, De-Interlace
- 16:9 / 4:3 Ratio Available, HDMI, VGA, PC Audio, AV Audio
- 1 CVBS (BNC) Input / Output (Loop-through)
- Built-in Speakers, Auto Source & Power Recovery
- Medical Safety Power Supply Approved (2 x MOPP) according to ANSI/AAMI ES60601-1 and IEC/EN60601-1
- Built to run 24/7/365
- 3-Year Warranty

DIMENSIONS



INTERFACE



1. DC12V IN
2. HDMI IN
3. VGA IN
4. Audio IN
5. CVBS (BNC) IN / OUT

Contact ViewZ

- Address : 1030 N ARMANDO ST., ANAHEIM, CA 92806
- Phone : (714) 996-1177, Fax : (714) 996-1138
- Sales : sales@viewzusa.com