

VZ-17RTN-ME

CLINICAL REVIEW HIGH-PERFORMANCE DISPLAY

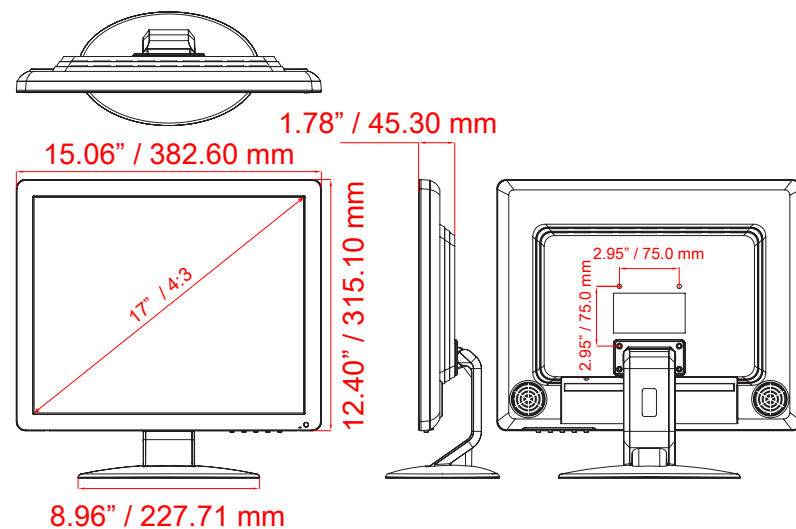


MODEL #		VZ-17RTN-ME
SPECIFICATION		
Screen Size	17"	
Max. Resolution	1280 x 1024 @60Hz	
Pixel Pitch	0.264 mm x 0.264 mm	
Brightness	300 cd/m ² (Typical)	
Contrast Ratio	700 : 1	
Aspect Ratio	5 : 4	
Viewing Angle (H/V)	170° / 160°	
Display Color	16.7 Million	
Response Time	< 5 ms	
INTERFACE		
AV (Composite) In / Out	1 / 1	
VGA In (15Pin D-Sub)	1	
HDMI In	1	
Audio In / Out	1 / 1	
AUDIO		
Built in Speaker	1.5 W x 2	
INTERFACE		
Filter Type	3D Comb-filter / De-Interlace	
Language	English, Deutsch, French, Spanish, Italian	
DIMENSIONS & WEIGHT		
Outline Dimension (W x H x D)	15.06" x 12.40" x 1.78"	
	382.60 x 315.10 x 45.30 mm	
Net Weight / Gross Weight	6.10 lbs (2.77 kg) / 7.20 lbs (3.27 kg)	
MOUNT		
VESA	75mm x 75mm (M4 x L8 screws)	
GENERAL		
Power	Electrical Ratings	DC 12V, 3A (AC 100-240V, 50/60Hz)
	Consumption	≤ 20 W
Warranty	3 Year	
Operating Temperature Humidity	14 ~ 122°F / -10 ~ 50°C 20 ~ 70% RH	
Regulations	FCC(A), CE, RoHS	
Compatible Mounts	Wall	VZ-WM05, VZ-WM11, VZ-AM02-A
	Ceiling	VZ-CMKIT-01, VZ-CM308
	Rack	VZ-RMK08

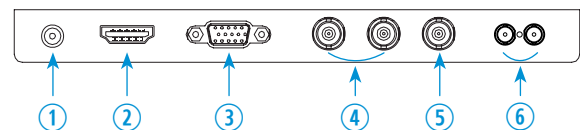
VZ-17RTN-ME ADVANTAGES

- 17" LED CCTV Monitor
- 3D Comb-filter, De-Interlace, 600 TV Line
- HDMI, VGA
- 2 BNC(Composite) Inputs / 1 BNC (Composite) Output (Loop-through)
- Built-in Speakers, Auto Source & Power Recovery
- Medical Safety Power Supply Approved (2 x MOPP) according to ANSI/AAMI ES60601-1 and IEC/EN60601-1
- Built to run 24/7/365
- 3-Year Warranty

DIMENSIONS



INTERFACE



1. DC12V IN
2. HDMI IN
3. VGA IN
4. AV 1, AV 2 IN
5. AV OUT
6. AUDIO IN / OUT

Contact ViewZ

- Address : 1030 N ARMANDO ST., ANAHEIM, CA 92806
- Phone : (714) 996-1177, Fax : (714) 996-1138
- Sales : sales@viewzusa.com