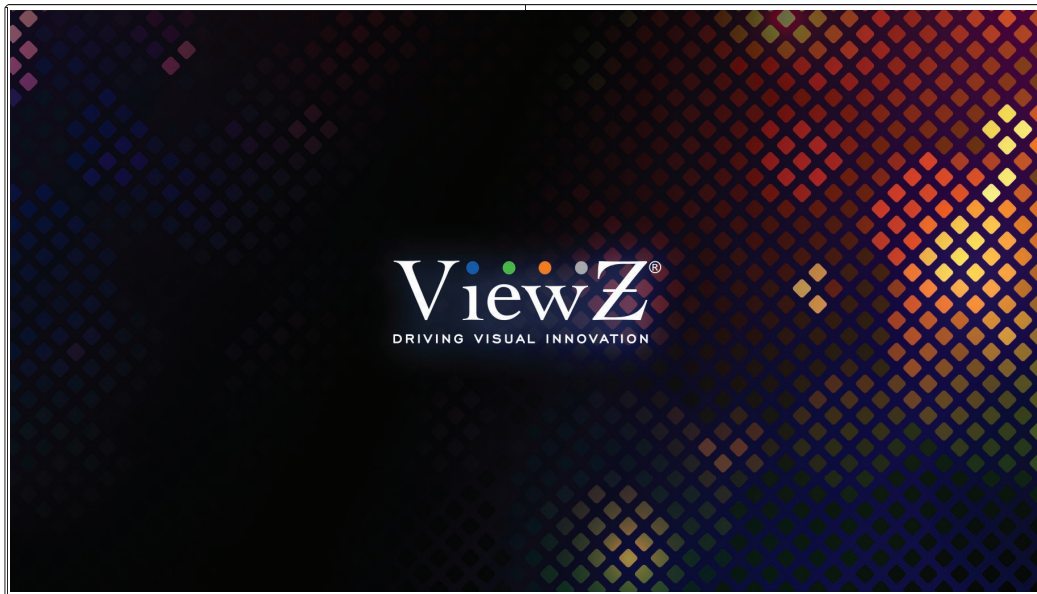


VZ-UNBS SERIES

Installation & Handling Guide

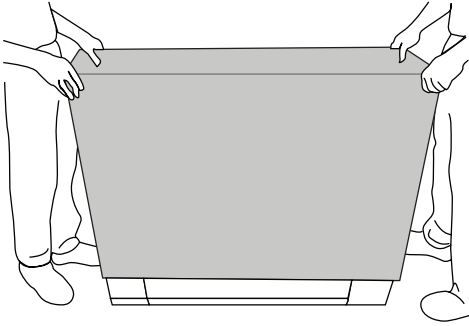
LED CCTV VIDEO WALL MONITOR



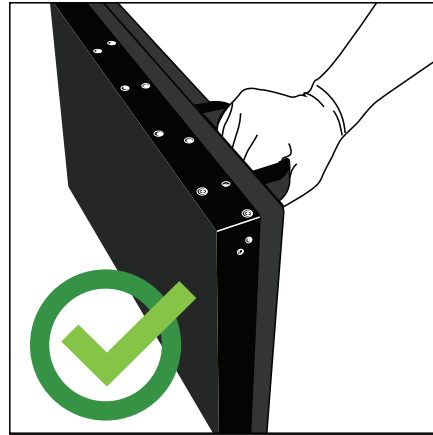
ViewZ[®]
www.viewzusa.com

Please read this manual thoroughly before use, and keep it handy for future reference.

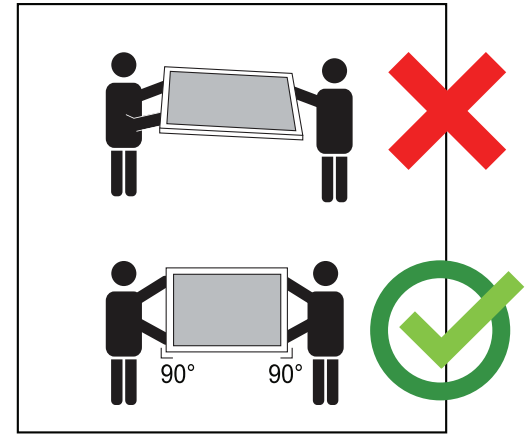
Installation Note - Handling



STEP 1

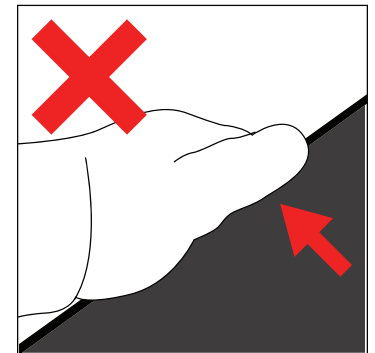
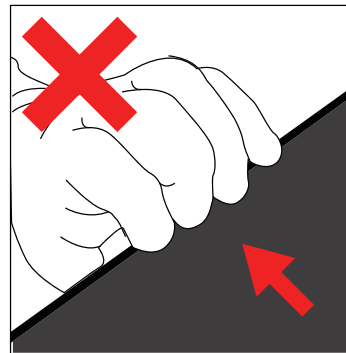
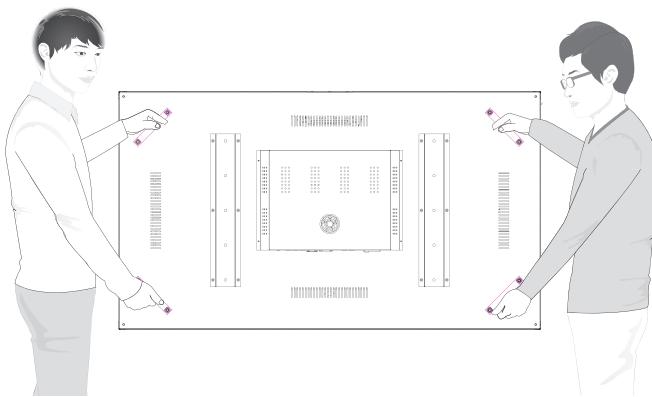


STEP 2



STEP 3

1. Open the box - please follow the 'Open box guide'.
2. Use the handle to pull out the monitor. Do not grab or touch the front bezel.
3. At least 2 people are required to mount or move the monitor. When carrying the monitor, make sure not to carry it in the slanted position.

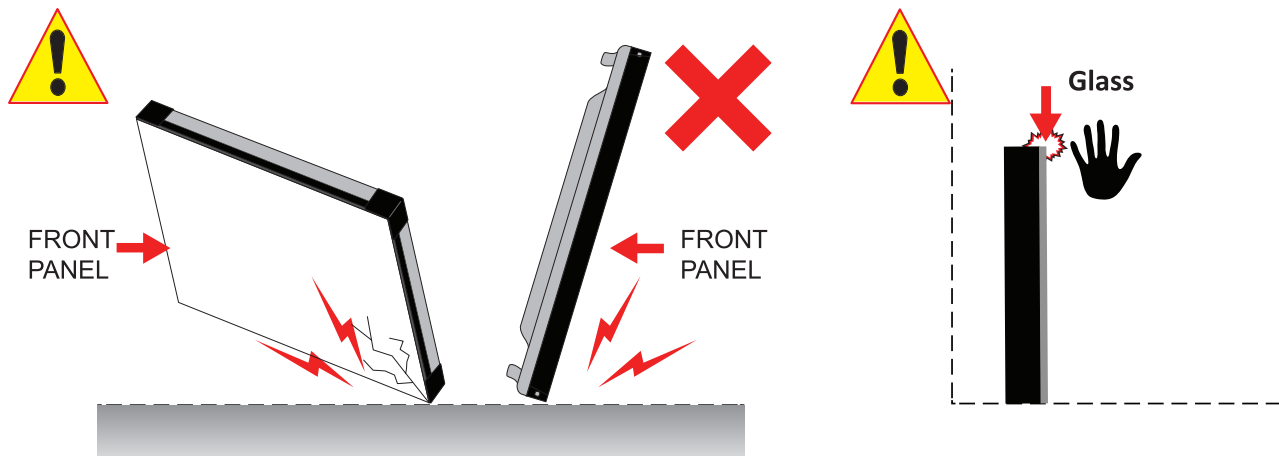


Caution

When moving a monitor,

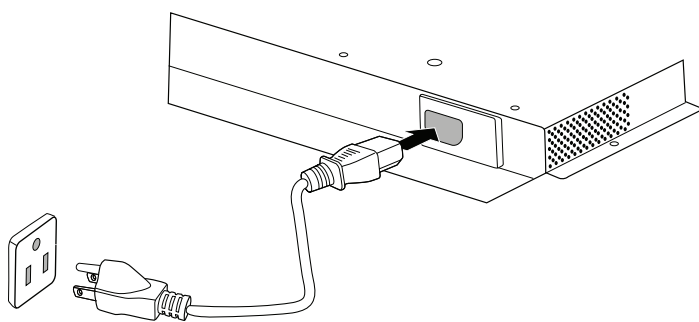
- Make sure it's more than one person carrying it.
- Make sure not to grab the front bezel in any case. It cause serious panel damage.

Installation Note - Caution



- ▶ Make sure the monitor is not standing at angle.
Do not drop or hit the edge of the monitor.
Do not place any heavy material on the top of monitor.
Do not push the top of front panel by hand.

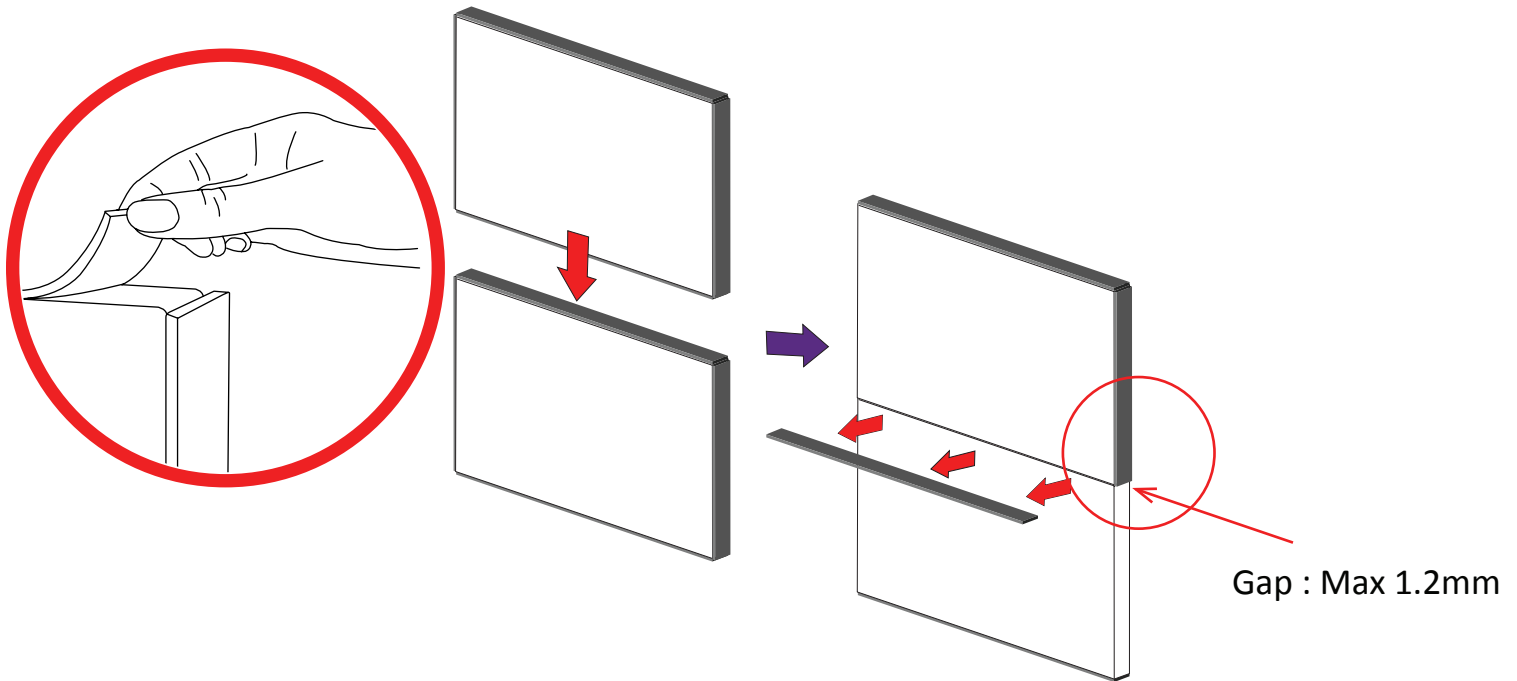
Power / Light Leak Check up



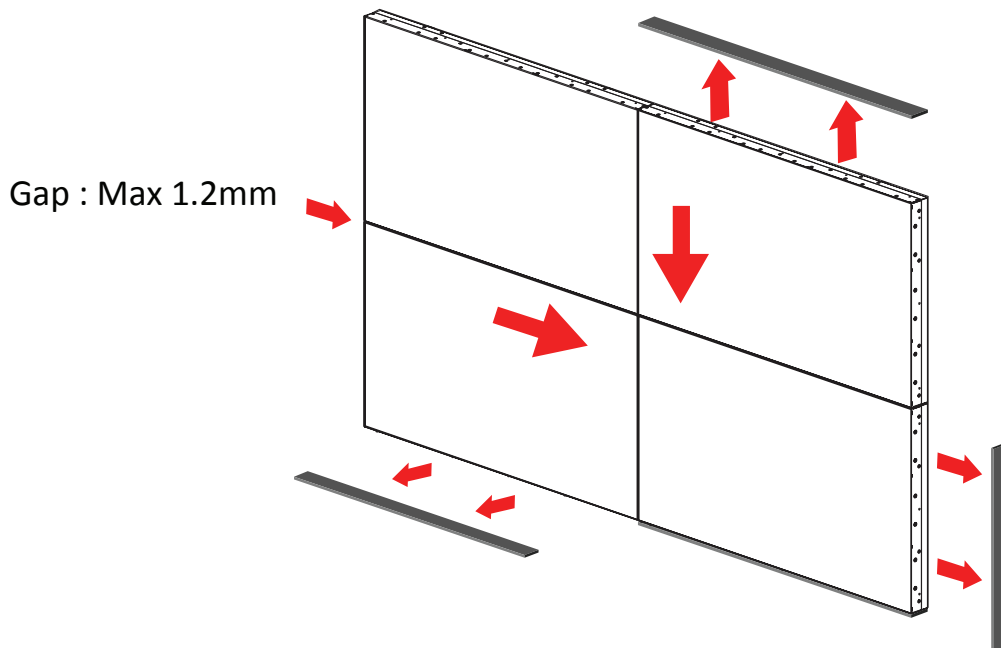
**MONITOR IS
READY TO USE**

Before installation, please connect power to the monitor and confirm the monitor is working correctly.

Installation Note - Stacking



- ▶ Make sure to check the protection pads as shown above before installing the monitors. **Prior to installation, remove the protection pads.** Keep the removed protection pads to use them later as necessary.



Avoid impact to the edge of monitor during installation to avoid damage to the monitor. When installing the mounting brackets on the back of the monitor, make sure it sits on a soft surface. The ViewZ narrow bezel monitor is **very fragile and requires special attention.**