

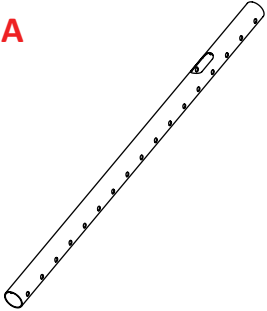
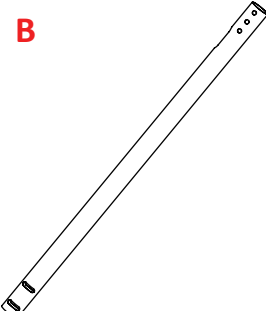
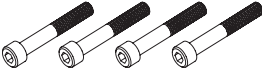
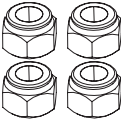
Telescopic Ceiling Mount Info

This bracket is designed to mount a monitor from the ceiling structure. It can be used with the existing truss structure of the building or in conjunction with a channel strut. There are four lengths of brackets available.

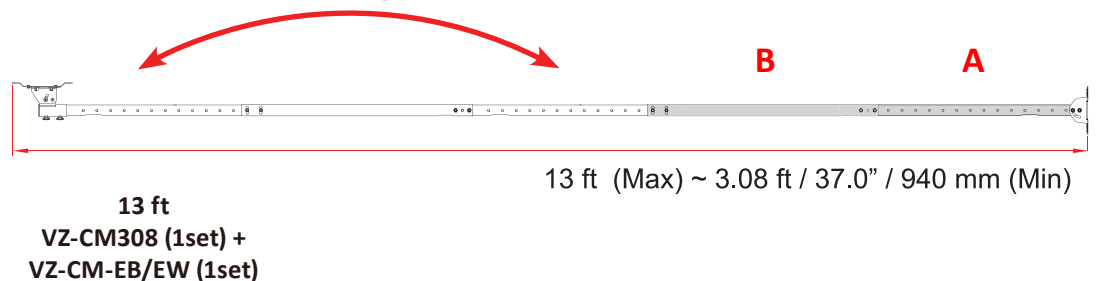
- Part # VZ-CM-EW Length of 3' to 5.2' Whit Optional Extension Pole Set
- Part # VZ-CM-EB Length of 3' to 5.2' Black Optional Extension Pole Set

Assembly Components

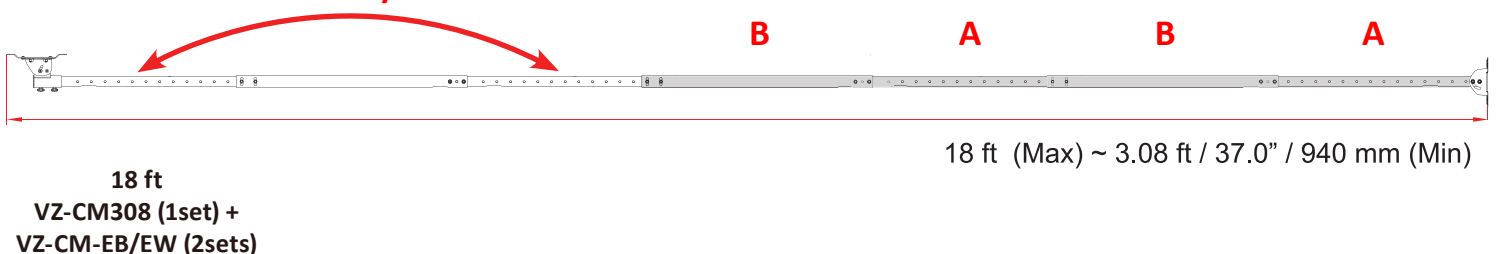
Your ViewZ mount product is shipped with all proper installation hardware and components. If there are parts missing and/or damaged, please stop the installation and contact ViewZ USA at (888)-998-4399.

<p>A</p>  <p>Top Pole (1 pc.)</p>	<p>B</p>  <p>Middle Pole (1 pc.)</p>	<p>C</p>  <p>M8 x L50 x φ 10 8.8 grade (Qty 4)</p>	<p>D</p>  <p>M8 Lock Nut (Qty 4)</p>
--	---	---	---

VZ-CM308-B/W 1 set



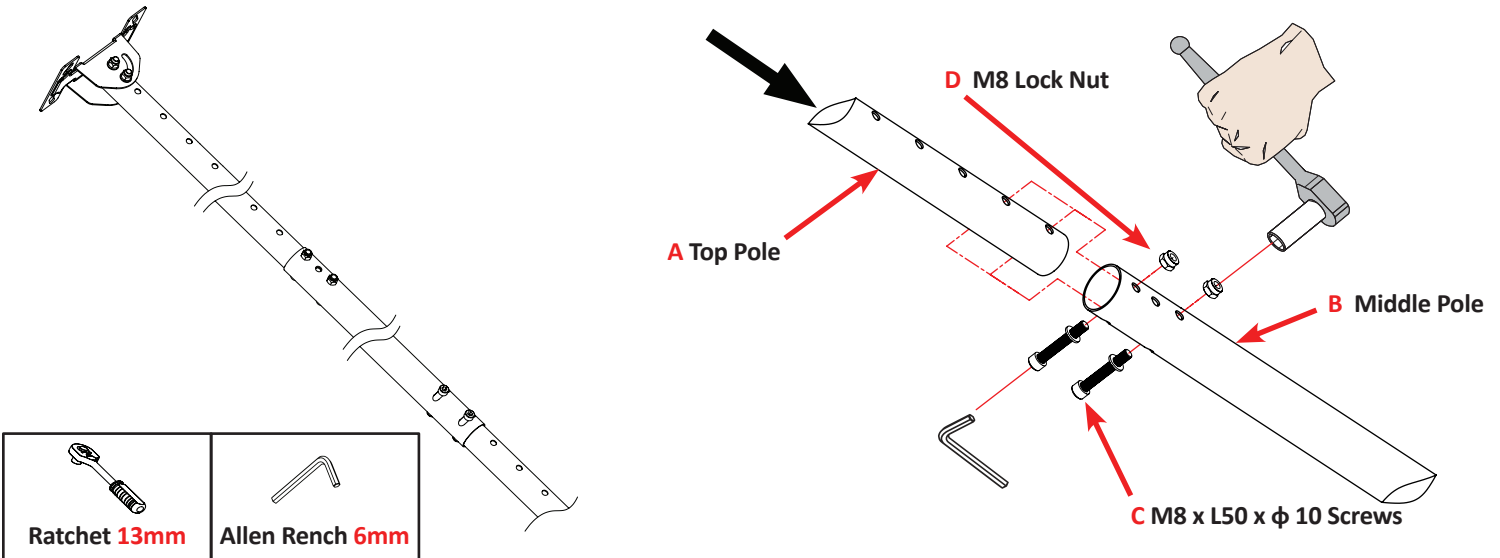
VZ-CM308-B/W 1 set



Installation

Assembly Poles (Top & Middle)

- 1) You can ensure the pole is properly aligned by tightening the lock screws/nuts between top & middle poles.
- 2) Place a level on poles (top & bottom) and tighten the screws/nuts (see illustration on the bottom).
- 3) Check and adjust 2 adjacent sides of the pole until it is plumb in each direction.



Assembly Poles (Middle & Bottom)

- 1) You can ensure the pole is properly aligned by tightening the lock screws/nuts between middle & bottom poles.
- 2) Place a level on poles (middle & bottom) and tighten the screws/nuts (see illustration on the bottom).
- 3) Check and adjust 2 adjacent sides of the pole until it is plumb in each direction.

