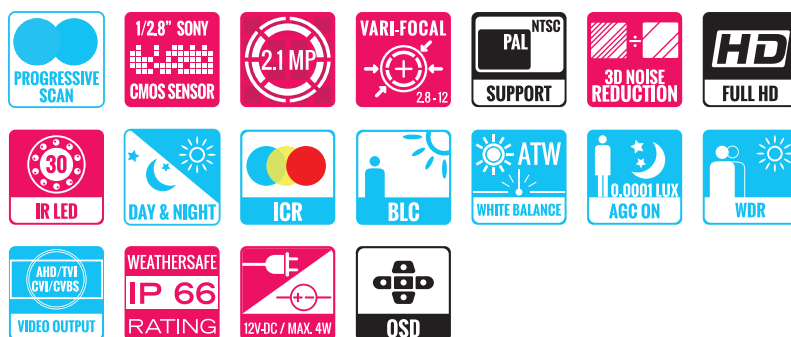


## VZ-VBC-1 ADVANTAGES

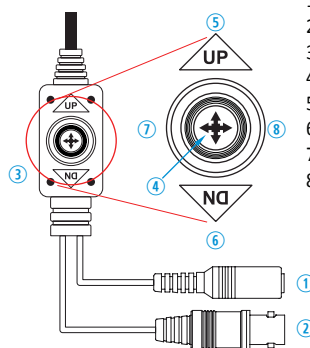
- Full HD 1080p over coaxial cable, BNC connection
- 1/2.8" SONY Progressive Scan CMOS Sensor
- 2.1 MP Vari-Focal 2.8 - 12 mm HD Lens
- 1920x1080p / NTSC : 30fps & PAL : 25fps
- AHD / TVI / CVI / CVBS (BNC)
- Minimum Illumination 0.0001 Lux ( F1.2)
- 30 IR LEDs, ATW/MWB , 3D DNR, WDR
- Aluminum Alloy Body / IP66
- Video Transmission 300m



MODEL #	VZ-VBC-1
<b>SPECIFICATION</b>	
Imaging Sensor	SONY 2.1 Megapixel CMOS Sensor
HD Scanning System	1/2.8" Progressive Scan
S/N Ratio	More than 50dB
HD Video Output / Resolution	1080P (1920x1080)
Image Frame	NTSC : 30 fps / PAL : 25 fps
Analog Video Output Level / Transmission	1.0 Vp-p (75Ω, Composite) / 300 m
Min. Illumination	0.01 Lux (Color, AGC On), 0 Lux (BW, IR On)
Lens	Vari-Focal 2.1MP 2.8 - 12 mm
Electronic Shutter Speed	NTSC : 1/30sec ~ 1/10,000sec PAL : 1/25sec ~ 1/10,000sec
WDR (Wide Dynamic Range)	More than 120dB
3D - DNR (Digital Noise Reduction)	Support
FOV (Field Of View)	90° ~ 35°
IR LED	30pcs IR LED
IR Wavelength / Range	850 nm / 114 - 131 ft ( 35 - 40 m )
White Balance	ATW / MWB
Day & Night	ICR ( Auto, B.W, Color, EXT )
BLC	Support
<b>INTERFACE</b>	
AHD/TVI/CVI/CVBS ( BNC )	1
DC 12V	1
<b>WEIGHT &amp; DIMENSIONS</b>	
Dimensions	φ3.14" x 10.93" / φ80mm x 277.8mm
Net Weight	1.76 lbs / 800g
<b>GENERAL</b>	
Language	English (Selectable)
Construction	Aluminum Alloy
Power	- Supplied Voltage : DC12V ±10% - Power Consumption : Max. 4W
Regulation	CE, FCC
Operating Humidity	0% to 85% RH
Operating Temperature	14 - 131°F / -10°C - 55°C
Standard Protection Rating	IP 66



## OSD Control



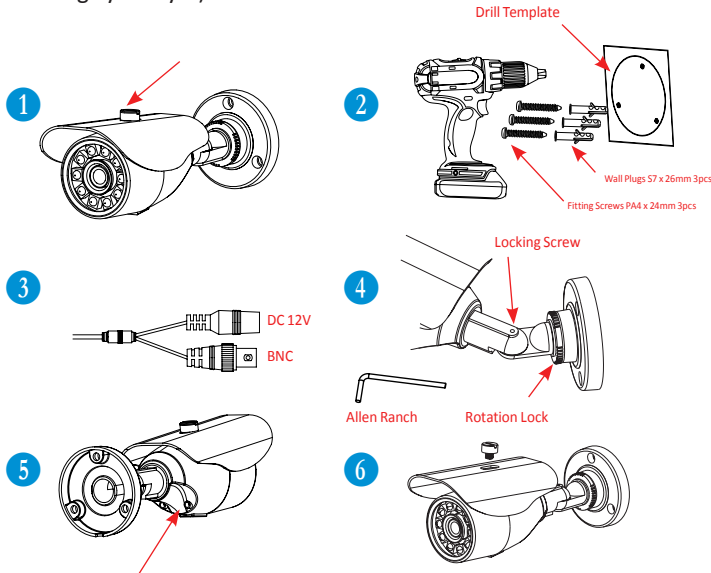
1. 12V DC In
2. AHD/TVI/CVI/CVBS Out
3. OSD
4. Set : Used to access the menu and confirm selection
5. Up (CVBS) : Used to move the cursor up
6. Down (C) : Used to move the cursor down
7. Left (A) : Used to move the cursor left and change the value
8. Right (T) : Used to move the cursor right and change the value

## Contact ViewZ

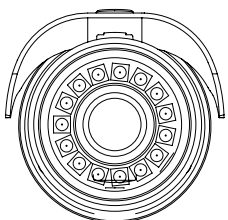
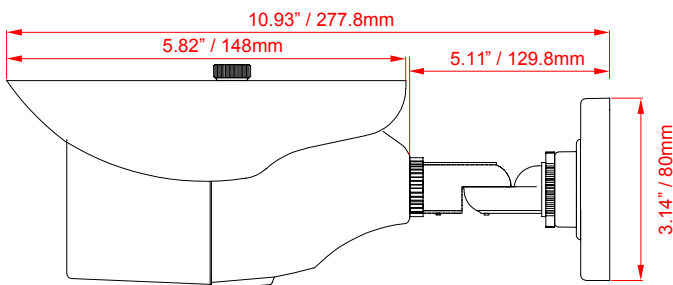
- Address : 177 W. Orangethorpe Ave., Placentia, CA 92870
- Phone : (714) 996-1177, Fax : (714) 996-1138
- Sales : sales@viewzusa.com
- Specification subject to change without notice.

## INSTALLATION

1. Remove visor from camera to aid simpler installation.
2. Use drill template as to guide to drill and attach camera to surface as required. Holes on bracket are 120 degree apart, so three holes are required.
3. Connect Power & BNC output, check device working.
4. Using the Allen ranch, you can set left-right up/down and lock into place. The rear position rotation allows turning of angle turn anti-clockwise to loosen.
5. Adjust zoom & focus using small flat blade. (Vari-focal model only)
6. Replace the sun visor if removed from step 1. Check IR LEDs are working by covering the photocell of camera, the IR LEDs will give a faint red glow. (Don't look at IR LEDs for long periods of time. It can damage your eyes)



## DIMENSIONS



## PRECAUTIONS



Do not use the camera if fumes, smoke or a strange odor is emitted from the unit, or if it seems to not function correctly. Disconnect the power source immediately and consult your supplier.



Always follow the instructions in the installation guide when applying power. Fire and equipment damage can occur if power is applied incorrectly. For the correct power supply, refer to the specification sheet.



Do not install or operate in small, unventilated areas. Heat build up can significantly reduce the performance and operating life of the product and may cause a fire.



To prevent damage, do not drop the camera or subject it to strong shock or vibration.



If installed close to a TV, radio transmitter, magnet, electric motor transformer or audio speakers the magnetic field generated may interfere with or distort the image.



Whether or not the camera is used outdoors, never point it toward the sun. Use caution when operating the camera in the vicinity of spot lights or other bright lights and light reflecting objects.



Do not use the camera in extreme environments where high temperatures or high humidity exists. Use the camera under conditions where temperatures are between 14°F ~ 131°F (-10°C ~ 55°C), and humidity is below 80%.

## REGULATORY NOTICE

This device complies with part 15 of the FCC Rules. Operation is subject to the following two conditions:

- This device may not cause harmful interference
- This device must accept any interference received, including interference that may cause undesired operation.

## Contact ViewZ

- Address : 177 W. Orangethorpe Ave., Placentia, CA 92870
- Phone : (714) 996-1177, Fax : (714) 996-1138
- Sales : sales@viewzusa.com
- Specification subject to change without notice.