



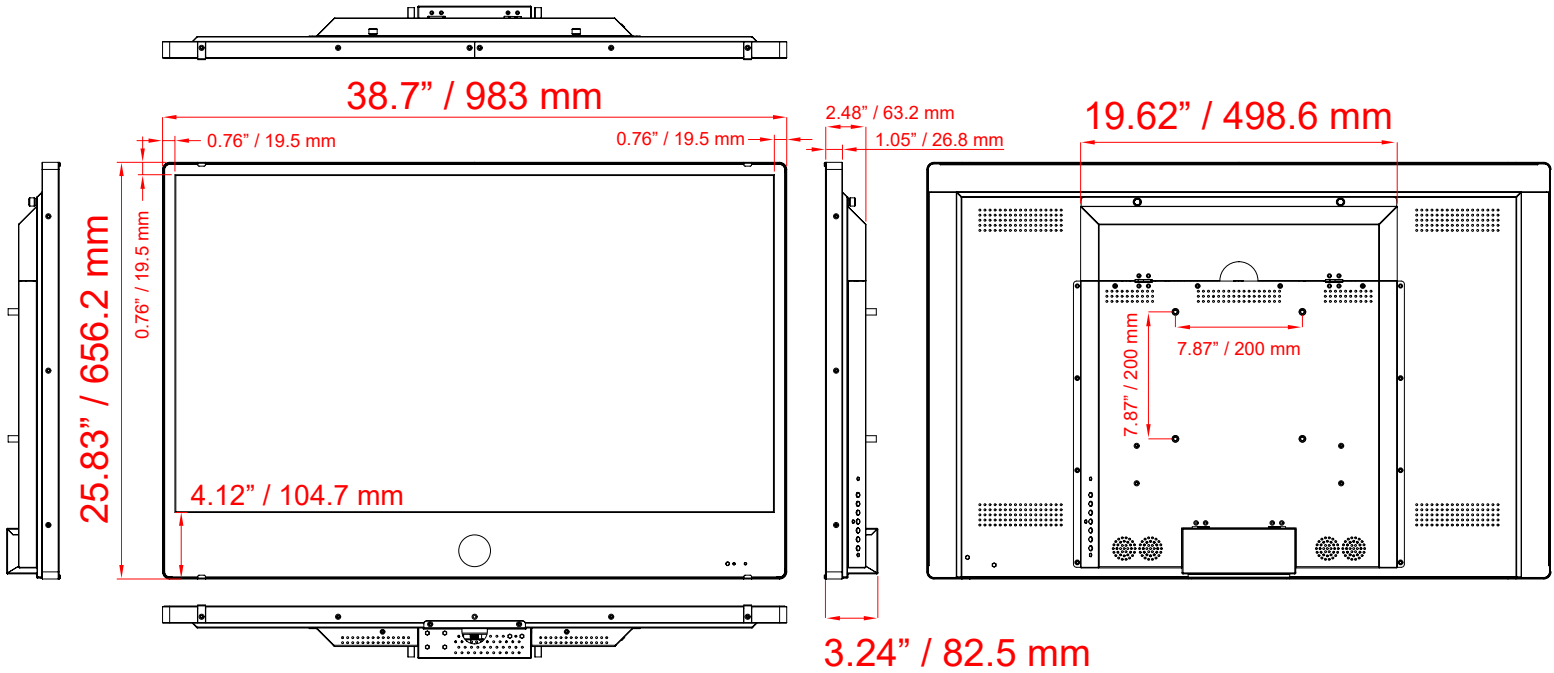
VZ-PVM-I5B3N ADVANTAGES

- 43" Mega Pixel IP Full HD 1080p Resolution
- Onvif Profile S Compliant, NDA A Compliant
- Recording Available with Micro SD / People Count / Mask Detection
- Face Detection (Display Face Detection Boxes)
- Protective Glass / IPS Panel for Wider Viewing Angle - 178° / 178°
- Camera Motion Sensor & Time Interval Based Source Switching
- Auto Power / Source Recovery
- Built-in 2 Mega Pixel Camera / 600 TV Line - Analog Video Resolution
- BNC(NTSC/PAL), VGA, HDMI, RJ-45, Audio, DC 12V Out
- 3D Comb-filter, De-interlace, "A" Commercial Grade LED
- Supports Dual Voltage (AC 100~240V and 24V DC)
- Built to run 24/7/365 | 3-Year Warranty

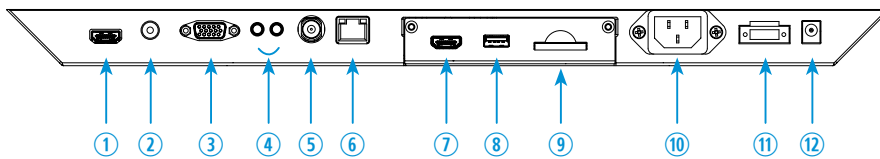
MODEL #		VZ-PVM-I5W3N
DISPLAY		
Screen Size	43"	
Max. Resolution	1920 x 1080 @60Hz	
Pixel Pitch	0.4902 mm x 0.4902 mm	
Brightness	350cd/m ² (Typical)	
Contrast Ratio	1200:1	
Aspect Ratio	16 : 9	
Viewing Angle (H/V)	178° / 178°	
Display Color	16.7 Million	
Response Time	< 8 ms	
INTERFACE		
AV (Composite) In	1	
Camera (CVBS) Out	1	
Micro SD In (Recording)	1	
HDMI In / VGA In (15Pin D-Sub)	1 / 1	
Audio In / Out	1 / 1	
Ethernet 10 / 100	1	
DC12V Out (Camera Use)	1	
SPECIAL FEATURES		
People Count / Face & Mask Detection	Support	
Filter Type	3D Comb-filter / De-Interlace	
Multi-lingual Language	English, Spanish, French, German, Italian, Portuguese, Dutch	
AUDIO		
Built in Speaker	5W x 2	
DIMENSIONS & WEIGHT		
Outline Dimension (W x H x D)	38.7 x 25.83 x 3.24" / 983 x 656.2 x 82.5 mm	
Net Weight	48.5 lbs / 22 kg	
MOUNT		
VESA	200mm x 200mm / M6 x L15 Screws	
GENERAL		
Transmitter - IR Remote Control	YES	
Power Electrical Ratings	AC 110~240V (50/60Hz)	
	24V DC / 5A	
Consumption	≤ 85 W	
Warranty Parts/ Labor	3 Year / 3 Year	
Operating Temperature	14 ~ 122°F / -10 ~ 50°C	
Regulation	FCC(A), CE	
Compatible Mounts	Wall	AP200
	Ceiling	VZ-CMKIT-01, VZ-CMKIT-02, VZ-CM308

CAMERA		
Camera Type	2 Mega Pixel IP Camera	
Image Sensor / Encoder Chipset	SONY IMX307 / NT98520	
Lens	DC Auto Iris 2.8~12mm Vari-focal Lens	
Total / Effect Pixel	1920(H) x 1080p(V) 30fps	
Video Compression	H.264 (Main profile), H.265, MJPEG, CBR, VBR	
Video Out	1ch CVBS (NTSC/PAL) / 1ch RJ-45 output	
Motion Detection	Support	
Ethernet Port	10 / 100 Base-T	
Web Application ¹⁾	Support Firefox, Chrome, Edge	
Network Protocol	IPv4/IPv6, 802.1x, HTTP, HTTPS, TCP/IP, UDP/IP, RTPSP, DHCP, NTP, RTCP/RTP, PPPoE, SMTP, DNS, UPnP, FTP, ARP, SNMP, TLS/SSL	
Integration Protocol	ONVIF 2.6 (supported), SDK, CGI	
Function	2D/3D NR, HLC/BLC, Defog, WDR, White Balance, Gain, Noise Reduction, Aisle Mode, Smart IR, Mirror, Privacy Masking, Digital Zoom, Day/Night (Auto ICR), True WDR, Removal Optical Filter	
MAX. User Access	10 Users	
Intelligent Detection	Perimeter, Single Virtual Fence, Loiter, Converse, Double Virtual Fences, Signal Bad	
Recording Capacity	2MP - H.265 w/256G	30fps / 11days
	2MP - H.264 w/256G	15fps / 15days
		30fps / 5days
MEDIA CARD (Optional)		
External Storage	Support SD/SDHC CARD, USB 2.0 HOST	
Output	VIDEO - HDMI(1080p) / AUDIO - L/R, HDMI	
VIDEO Format	RM,RMV8(RV30/RV40), VOB(MPEG-2), HDMOV, AVI(Dvix, Xvid, MJPEG;MPEG-4 SP/ASP, H.264), DVIX, MPG (MPEG-1, MPEG-2), M4V, PMP, AVC, FLV, MP4 (MPEG-4 SP/ASP, H.264/H.263; Motion JPEG; H.265(720P)), DAT(MPEG-1), MPEG, MOV/MKV(MPEG-4 SP/ASP, H.264/H.263), TS (MPEG-2, H.264, Avs, Avs+), M2TS, WMV, H.264, H.263, WMV9, VC-1, MPEG1/2/4	
VIDEO Resolution	1080P @60Hz	
AUDIO Format	MPEG1/2/4, MP3, WMA, OGG, AAC, FLAC, APE, AC-3, DTS, ATRA, WAV, PCM	
Image Format	JPEG, JPG, PNG, BMP	
VIDEO Play Control	AUTO, REPEAT, ZOOM, RESUME, TIME	

DIMENSIONS



INTERFACE



1. HDMI IN
2. AV (BNC) IN
3. VGA (15 Pin D-Sub) IN
4. AUDIO IN / OUT
5. CAMERA CVBS OUT
6. CAMERA IP(Ethernet) OUT
7. (Optional) Media Player HDMI OUT
8. (Optional) Media Player USB
9. (Optional) Media Player SD Card
10. AC 110V IN
11. DC 24V IN
12. DC 12V OUT

Contact ViewZ

- Address : 177 W. Orangethorpe Ave., Placentia, CA 92870
- Phone : (714) 996-1177, Fax : (714) 996-1138
- Sales : sales@viewzusa.com