

### VZ-PVM-I5B3N ADVANTAGES

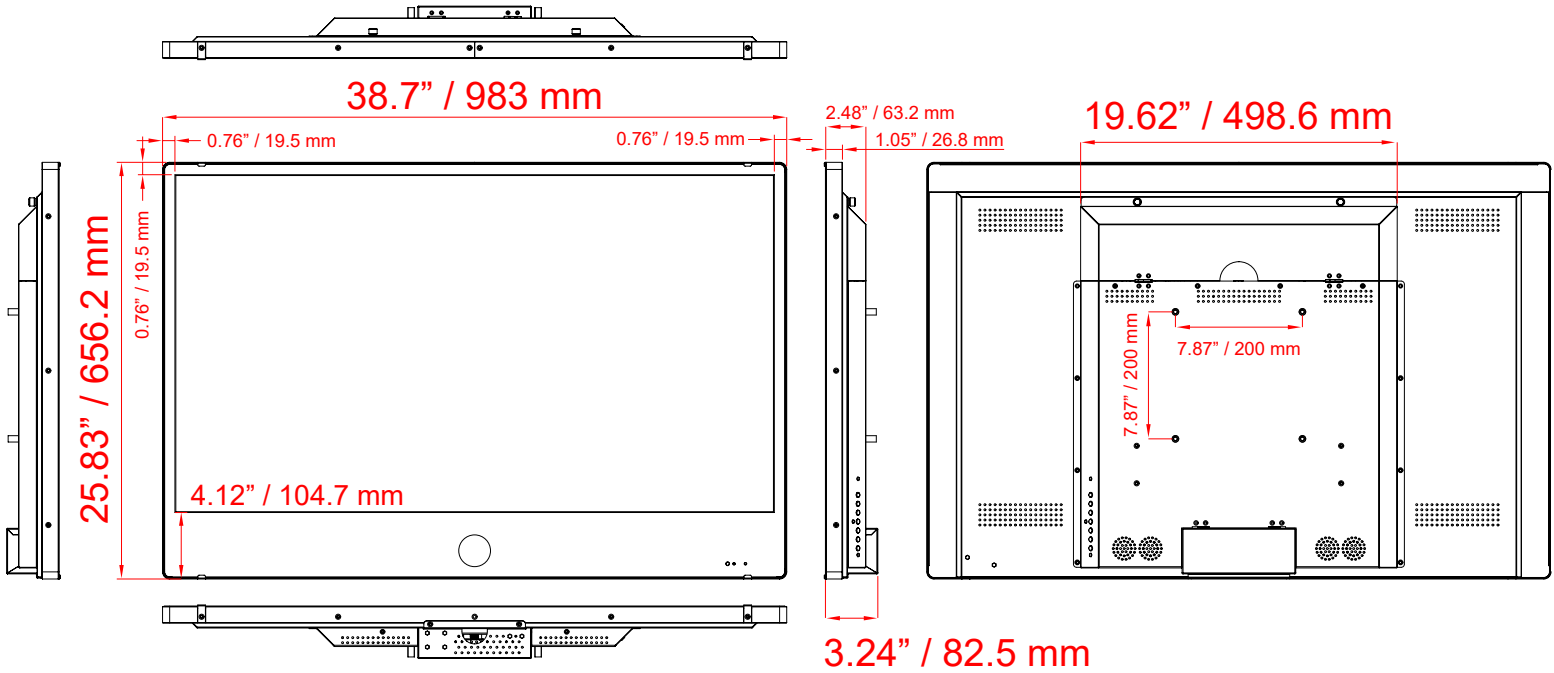
- 43" Mega Pixel IP Full HD 1080p Resolution
- Onvif Profile S Compliant, NDA A Compliant
- Recording Available with Micro SD / People Count / Mask Detection
- Face Detection (Display Face Detection Boxes)
- Protective Glass / IPS Panel for Wider Viewing Angle - 178° / 178°
- Camera Motion Sensor & Time Interval Based Source Switching
- Auto Power / Source Recovery
- Built-in 2 Mega Pixel Camera / 600 TV Line - Analog Video Resolution
- BNC(NTSC/PAL), VGA, HDMI, RJ-45, Audio, DC 12V Out
- 3D Comb-filter, De-interlace, "A" Commercial Grade LED
- Supports Dual Voltage (AC 100~240V and 24V DC)
- Built to run 24/7/365 | 3-Year Warranty



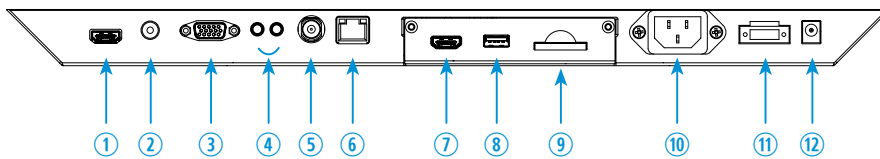
MODEL #		VZ-PVM-I5B3N
<b>DISPLAY</b>		
Screen Size	43"	
Max. Resolution	1920 x 1080 @60Hz	
Pixel Pitch	0.4902 mm x 0.4902 mm	
Brightness	350cd/m <sup>2</sup> (Typical)	
Contrast Ratio	1200:1	
Aspect Ratio	16 : 9	
Viewing Angle (H/V)	178° / 178°	
Display Color	16.7 Million	
Response Time	< 8 ms	
<b>INTERFACE</b>		
AV (Composite) In	1	
Camera (CVBS) Out	1	
Micro SD In (Recording)	1	
HDMI In / VGA In (15Pin D-Sub)	1 / 1	
Audio In / Out	1 / 1	
Ethernet 10 / 100	1	
DC12V Out (Camera Use)	1	
<b>SPECIAL FEATURES</b>		
People Count / Face & Mask Detection	Support	
Filter Type	3D Comb-filter / De-Interlace	
Multi-lingual Language	English, Spanish, French, German, Italian, Portuguese, Dutch	
<b>AUDIO</b>		
Built in Speaker	5W x 2	
<b>DIMENSIONS &amp; WEIGHT</b>		
Outline Dimension (W x H x D)	38.7 x 25.83 x 3.24" / 983 x 656.2 x 82.5 mm	
Net Weight	48.5 lbs / 22 kg	
<b>MOUNT</b>		
VESA	200mm x 200mm / M6 x L15 Screws	
<b>GENERAL</b>		
Transmitter - IR Remote Control	YES	
Power Electrical Ratings	AC 110~240V (50/60Hz) 24V DC / 5A	
Consumption	≤ 85 W	
Warranty Parts/ Labor	3 Year / 3 Year	
Operating Temperature	14 ~ 122°F / -10 ~ 50°C	
Regulation	FCC(A), CE	
Compatible Mounts Wall Ceiling	AP200 VZ-CMKIT-01, VZ-CMKIT-02, VZ-CM308	

CAMERA	
Camera Type	2 Mega Pixel IP Camera
Image Sensor / Encoder Chipset	SONY IMX307 / NT98520
Lens	DC Auto Iris 2.8~12mm Vari-focal Lens
Total / Effect Pixel	1920(H) x 1080p(V) 30fps
Video Compression	H.264 (Main profile), H.265, MJPEG, CBR, VBR
Video Out	1ch CVBS (NTSC/PAL) / 1ch RJ-45 output
Motion Detection	Support
Ethernet Port	10 / 100 Base-T
Web Application <sup>1)</sup>	Support Firefox, Chrome, Edge
Network Protocol	IPv4/IPv6, 802.1x, HTTP, HTTPS, TCP/IP, UDP/IP, RTPS, DHCP, NTP, RTCP/RTP, PPPoE, SMTP, DNS, UPnP, FTP, ARP, SNMP, TLS/SSL
Integration Protocol	ONVIF 2.6 (supported), SDK, CGI
Function	2D/3D NR, HLC/BLC, Defog, WDR, White Balance, Gain, Noise Reduction, Aisle Mode, Smart IR, Mirror, Privacy Masking, Digital Zoom, Day/Night (Auto ICR), True WDR, Removal Optical Filter
MAX. User Access	10 Users
Intelligent Detection	Perimeter, Single Virtual Fence, Loiter, Converse, Double Virtual Fences, Signal Bad
Recording Capacity	TF Card (EXT4 format, MAX256G) 2MP - H.265 w/256G 30fps / 11days 15fps / 15days 2MP - H.264 w/256G 30fps / 5days 15fps / 7days
<b>MEDIA CARD ( Optional )</b>	
External Storage	Support SD/SDHC CARD, USB 2.0 HOST
Output	VIDEO - HDMI(1080p) / AUDIO - L/R, HDMI
VIDEO Format	RM,RMV8(RV30/RV40), VOB(MPEG-2), HDMOV, AVI(Dvix, Xvid, MJPEG;MPEG-4 SP/ASP, H.264), DVIX, MPG (MPEG-1, MPEG-2), M4V, PMP, AVC, FLV, MP4 (MPEG-4 SP/ASP, H.264/H.263; Motion JPEG; H.265(720P)), DAT(MPEG-1), MPEG, MOV/MKV(MPEG-4 SP/ASP, H.264/H.263), TS (MPEG-2, H.264, Avs, Avs+), M2TS, WMV, H.264, H.263, WMV9, VC-1, MPEG1/2/4
VIDEO Resolution	1080P @60Hz
AUDIO Format	MPEG1/2/4, MP3, WMA, OGG, AAC, FLAC, APE, AC-3, DTS, ATRA, WAV, PCM
Image Format	JPEG, JPG, PNG, BMP
VIDEO Play Control	AUTO, REPEAT, ZOOM, RESUME, TIME

## DIMENSIONS



## INTERFACE



1. HDMI IN
2. AV ( BNC ) IN
3. VGA (15 Pin D-Sub) IN
4. AUDIO IN / OUT
5. CAMERA CVBS OUT
6. CAMERA IP(Ethernet) OUT
7. (Optional) Media Player HDMI OUT
8. (Optional) Media Player USB
9. (Optional) Media Player SD Card
10. AC 110V IN
11. DC 24V IN
12. DC 12V OUT

## Contact ViewZ

- Address : 177 W. Orangethorpe Ave., Placentia, CA 92870
- Phone : (714) 996-1177, Fax : (714) 996-1138
- Sales : sales@viewzusa.com