

VZ-CMKIT-03 ADVANTAGES

- Mounting Head for 23" to 32" CCTV & Video Wall Monitors
- Load Capacity is 110 lbs / 50 kg
- 5° Tilt Up and 12° Tilt Down Adjustment along with 360° Pan Rotation For Achieving that Perfect Viewing Angle
- VESA Standard - 75x75, 100x100, 200x100 and 200x200
- Easy Cable Management & Installation
- 2 units of VZ-CM-P15 poles can be connected by using VZ-CM-C pole connector.

Connecting more than 2 poles is not recommended.

Designed specifically for

VZ-24CMP

VZ-24CME

VZ-23/27/32 IP-PVM

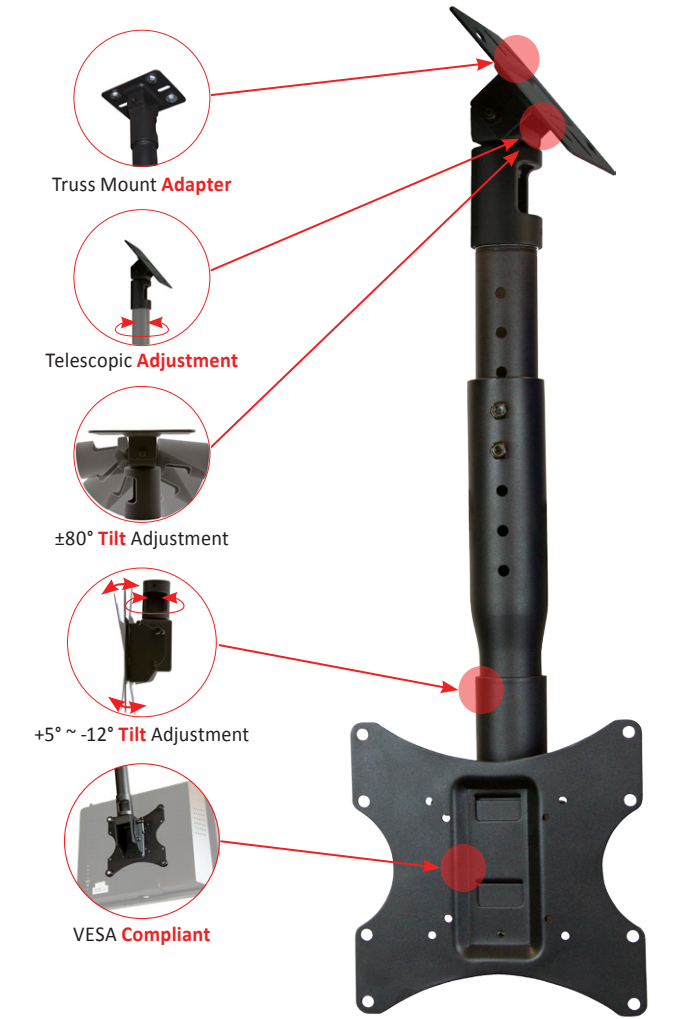
VZ-23/27/32 HD-PVM

VZ-24/27/32 HX

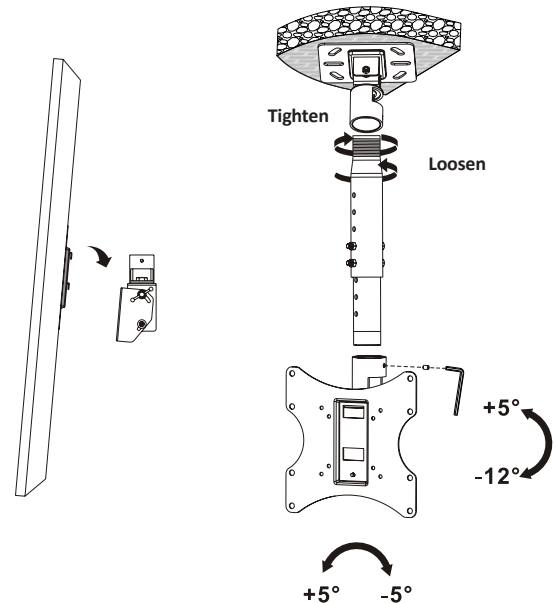
VZ-32IPM

32" Smart AD PVM

FEATURES



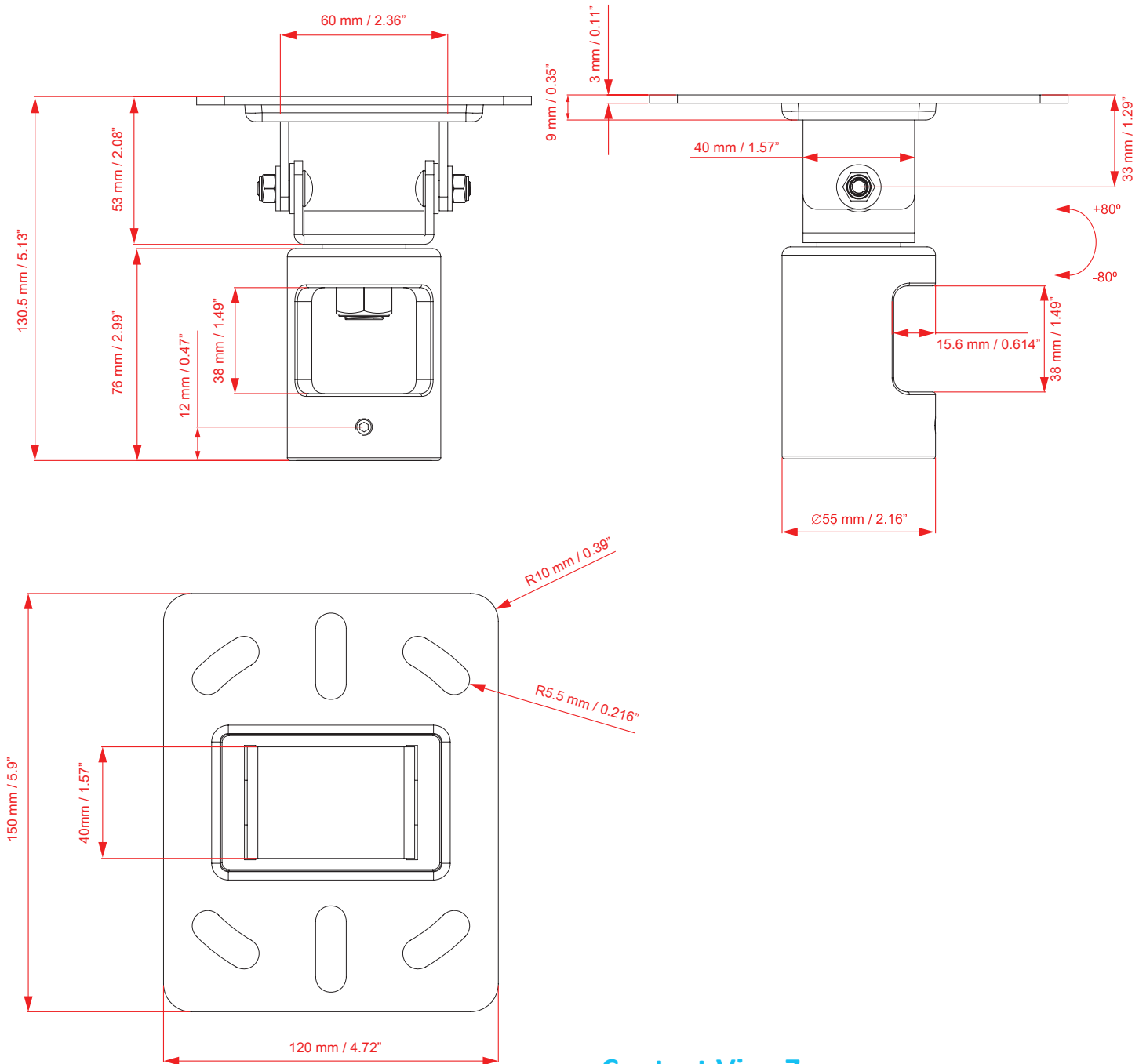
MODEL #	VZ-CMKIT-03
FEATURES	
Net Weight	8.31 lbs / 3.78 kg
Weight Capacity	110 lbs / 50 kg
Display Range	23" ~ 32"
VZ-CM-V1 Plate Size (W x H x D)	220 x 252 x 90mm / 8.66" x 9.92" x 3.54"
VZ-CM-V1 Pole (R x Length)	Ø 38.1 x 76mm / Ø 1.5 x 3"
VZ-CM-T Plate Size (W x H x D)	150 x 120 x 53mm / 5.9" x 4.72" x 2.08"
VZ-CM-T Pole (R x Length)	Ø 38.1 x 76mm / Ø 1.5 x 3"
VZ-CM-P15 Pole (R x Length)	Ø 2.32 x 8.7 ~ 14.55" / Ø 1.88 x 35.43"
VZ-CM-P15Thread (R x Length)	Ø 38.1 mm / Ø 1-1/2"
PAN Rotation	360 °
Tilt Capability (VZ-CM-V1 / VZ-CM-T)	+5° ~ -12° / ± 80 °
Mounting Patterns Type	VESA
Mounting Patterns	75x75, 100x100, 200x100, 200x200



Contact ViewZ

- Address : 177 W. Orangethorpe Ave., Placentia, CA 92870
- Phone : (714) 996-1177, Fax : (714) 996-1138
- Sales : sales@viewzusa.com
- Specification subject to change without notice.

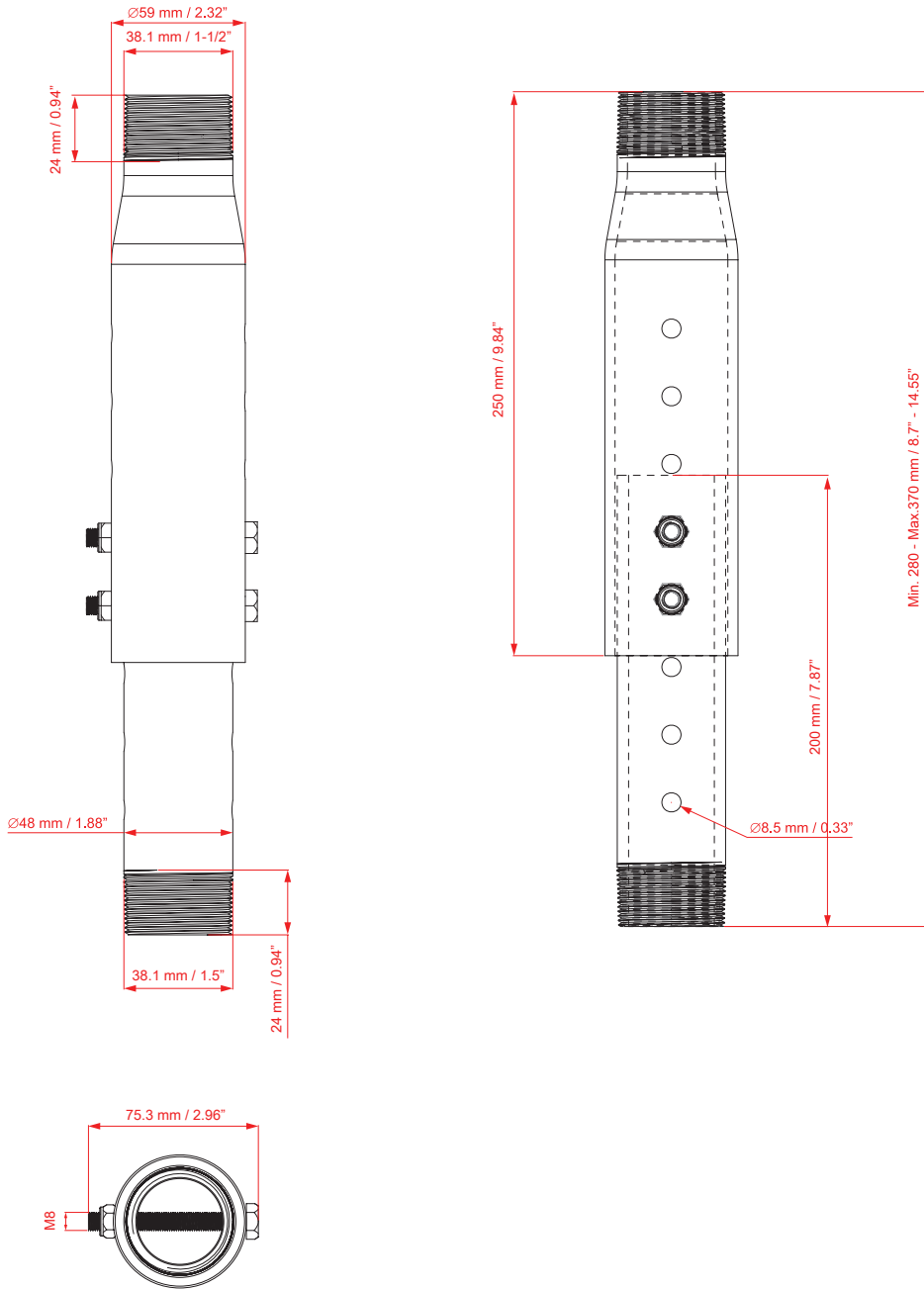
DIMENSIONS



Contact ViewZ

- Address : 177 W. Orangethorpe Ave., Placentia, CA 92870
- Phone : (714) 996-1177, Fax : (714) 996-1138
- Sales : sales@viewzusa.com
- Specification subject to change without notice.

DIMENSIONS



Contact ViewZ

- Address : 177 W. Orangethorpe Ave., Placentia, CA 92870
- Phone : (714) 996-1177, Fax : (714) 996-1138
- Sales : sales@viewzusa.com
- Specification subject to change without notice.