

## EXTENSION COLUMN CONNECTOR

### VZ-CM-C ADVANTAGES

- 1 - 1/2" NPT Standard Pipe Thread
- Powder-Coated Surface
- Fast and Easy Installation
- Strong Enough to Hold Extension Pipes - VZ-CM-P15 and VZ-CM-P36

### Designed specifically for

**VZ-CM-P15**

Aluminum Extension Column 11" to 14.5"

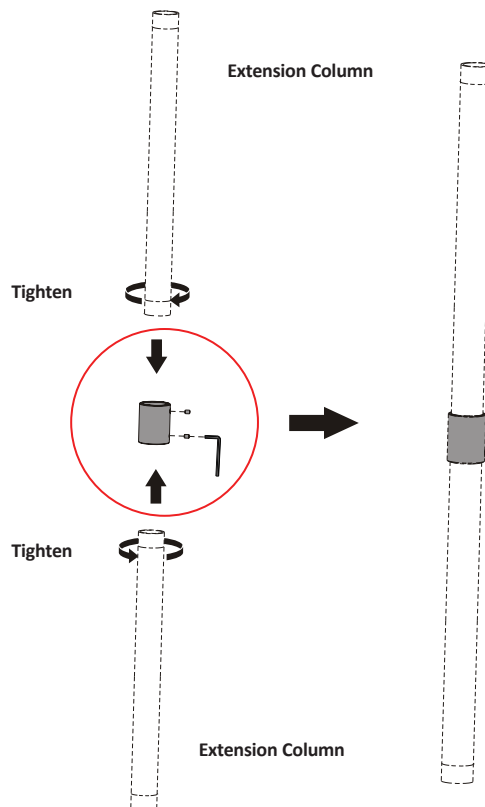
**VZ-CM-P36**

Aluminum Extension Column 35"

### FEATURES



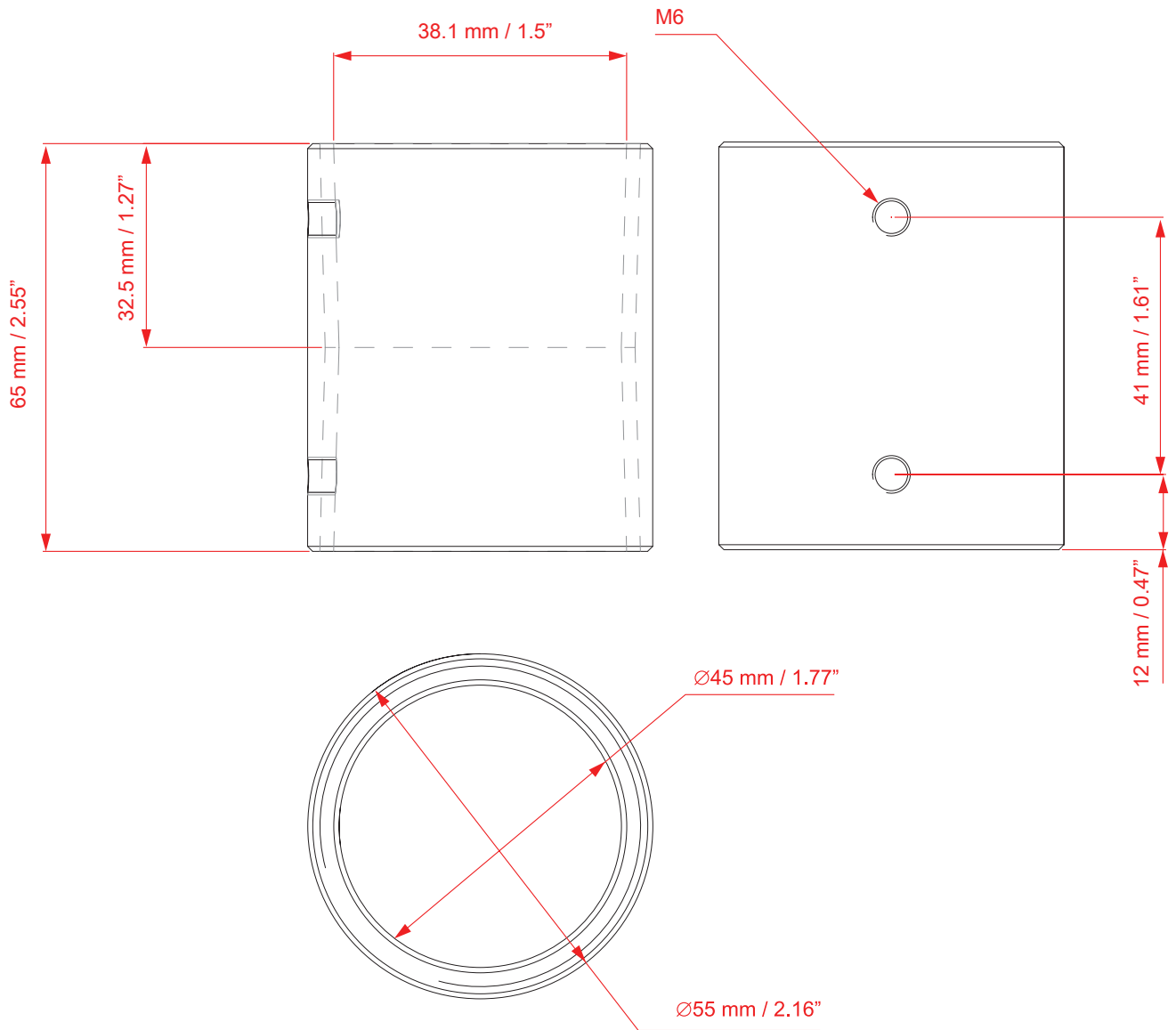
MODEL #	VZ-CM-C
<b>FEATURES</b>	
Net Weight	0.28 lbs / 0.13 kg
Weight Capacity	110 lbs / 50 kg
Pole (R x Length)	Ø 55 x 65 mm / Ø 2.16 x 2.55
Thread	Ø 45 mm / 1.77"



### Contact ViewZ

- Address : 177 W. Orangethorpe Ave., Placentia, CA 92870
- Phone : (714) 996-1177, Fax : (714) 996-1138
- Sales : sales@viewzusa.com
- Specification subject to change without notice.

### DIMENSIONS



### Contact ViewZ

- Address : 177 W. Orangethorpe Ave., Placentia, CA 92870
- Phone : (714) 996-1177, Fax : (714) 996-1138
- Sales : sales@viewzusa.com
- Specification subject to change without notice.