



VZ-65UHD ADVANTAGES

- 65" 4K UHD LED Panel
- Narrow **23.1 mm** Bezel
- Supports 4K (3840X2160) Resolution
- Supported HDMI (2.0) In x2, VGA In x1
- USB - Media Player
- OPS Slot - Optional Windows OPS available
- Wide Viewing Angle (IPS Panel)
- Universal Wall Mounting
- Auto Source Detection / Auto Power Recovery
- Built-to Run 24/7/365

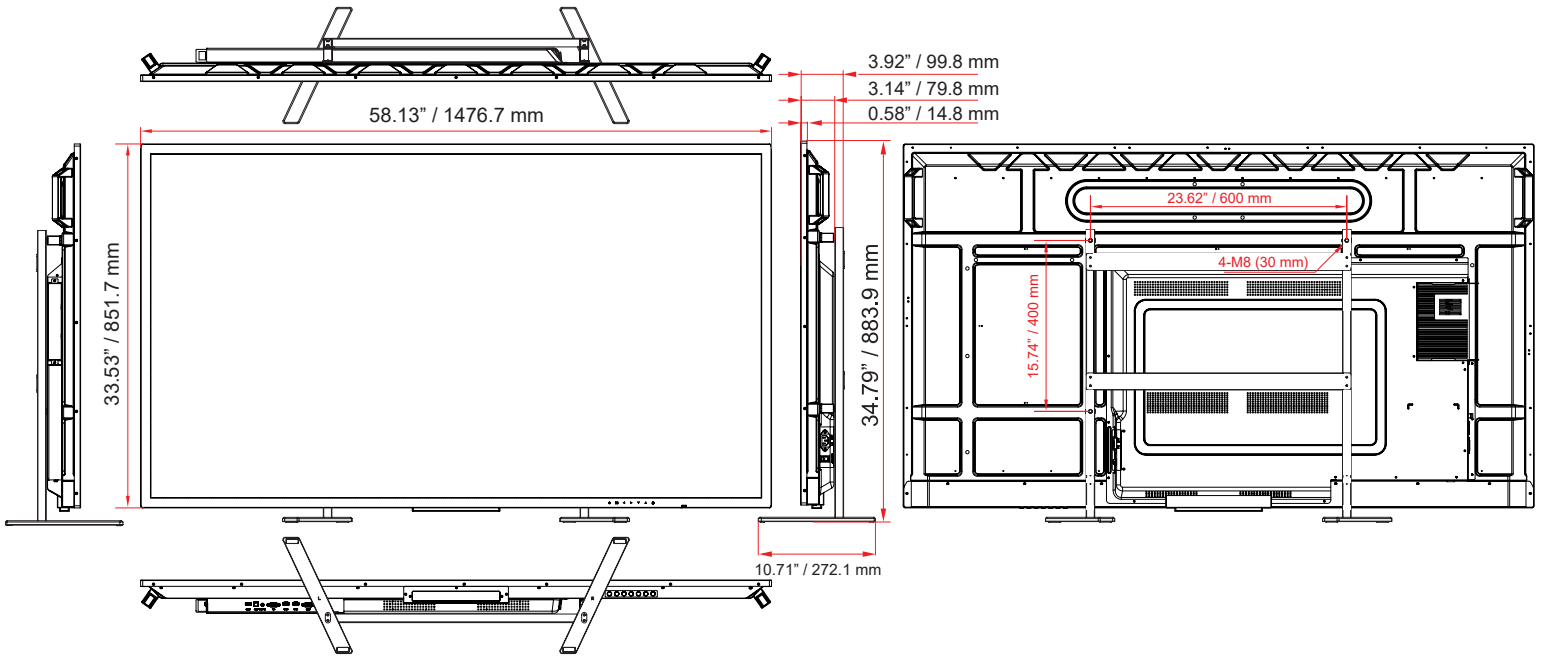
MODEL #		VZ-65UHD
VIDEO		
Screen Size		65"
Max. Resolution		3840 x 2160 @60Hz
Pixel Pitch		0.372 mm x 0.372 mm
Brightness		400cd/m ² (Typical)
Contrast Ratio		1200:1
Aspect Ratio		16 : 9 (1.78 : 1)
Viewing Angle (H/V)		178° / 178°
Display Color		1.07G
Response Time		< 8 ms
INTERFACE		
HDMI (2.0) In		2
VGA In (15Pin D-Sub)		1
USB 2.0 In		1
SPDIF In		1
RS232 In (9Pin D-Sub)		1
PC Audio In		1
OPS In (Option)		1
SPECIAL FEATURES		
Bezel Width	TOP and LEFT Side	0.9" / 23.1 mm
	BOTTOM and RIGHT Side	0.9" / 23.1 mm
ACTIVE AREA to ACTIVE AREA		1.8" / 46.2 mm
Image Retention		YES
USB Media Player	Video Codec	WMA/WMV, AAC, AC3, DIVX, MPEG, H264, VC1, AVS, FLV, RM/RMVB
	Video Format	MP4, MOV, MKV, FLV, AVI
	Image Format	JPEG, JPG, PNG
	Music Format	AAC, FLAC, MP3, OGG, WAV, M4A
	Text Format	TXT (raw text file only)
	Capacity	Max 16GB
AUDIO		
Built in speaker		10W x 2
REFRESH RATE		
HDMI (2.0) In		3840 x 2160 @ 60Hz
VGA In (15Pin D-Sub)		1920 x 1080 @ 60 Hz

DIMENSIONS & WEIGHT		
Outline Dimension (W x H x D)	58.13" x 33.53" x 3.14"	
	1476.7 mm x 851.7 mm x 79.8 mm	
Net Weight / Gross Weight	62.83 lbs (28.5 kg) / 89.28 lbs (40.5 kg)	
MOUNT		
Universal	600 x 400 mm (M8)	
GENERAL		
Transmitter - IR Remote Control	YES	
Power	Electrical Ratings	AC100 ~ 240V (50/60Hz)
	Consumption	≤ 170 W / ≤ 0.5 W (Standby)
Regulations	FCC (A), RoHS	
Operating Temperature	32 ~ 104°F / 0°C ~ 40°C	
Operating Humidity	20 ~ 85% RH	
Storage Temperature	50 ~ 140°F / 10°C ~ 60°C	
Storage Humidity	10 ~ 90% RH	
Language (OSD)	English	
Compatible Mounts	Wall	VZ-AM03, VZ-WM71, VZ-XMS
	Ceiling	VZ-CMKIT-04
Accessories	Stand (1set), Manual (1pc), Power Cable (1pc), Remote Control (1pc)	

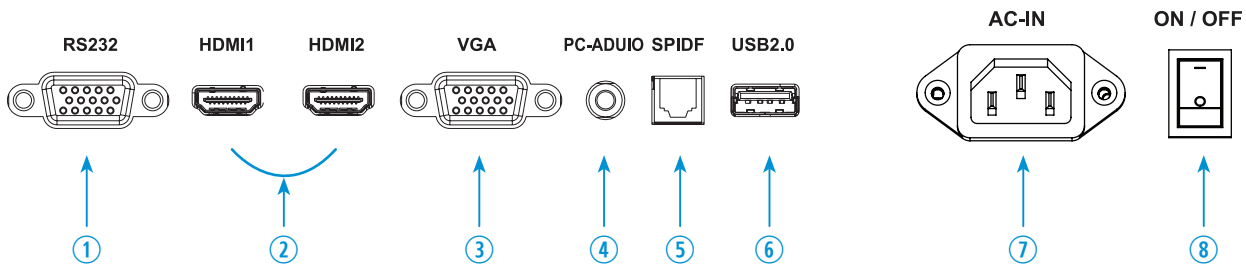
Contact ViewZ

- Address : 177 W. Orangethorpe Ave., Placentia, CA 92870
- Phone : (714) 996-1177, Fax : (714) 996-1138
- Sales : sales@viewzusa.com

DIMENSIONS



INTERFACE



1. RS232 IN (9Pin D-Sub)
2. HDMI x 2 IN (Ver 2.0)
3. VGA IN
4. PC Audio IN
5. SPDIF IN
6. USB 2.0 IN
7. AC 110V
8. Power On/Off

Contact ViewZ

- Address : 177 W. Orangethorpe Ave., Placentia, CA 92870
- Phone : (714) 996-1177, Fax : (714) 996-1138
- Sales : sales@viewzusa.com